

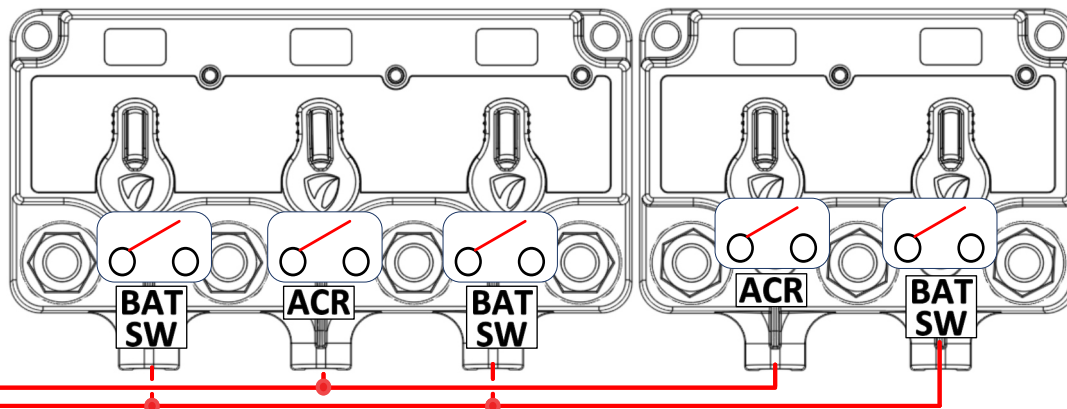
Metal push button switches shown, but any appropriate switch design including rocker and toggle or digital switching system outputs

Example of Three Battery Switch / Dual VSR Configuration. Less or More Complex Systems Configured in a Similar Fashion

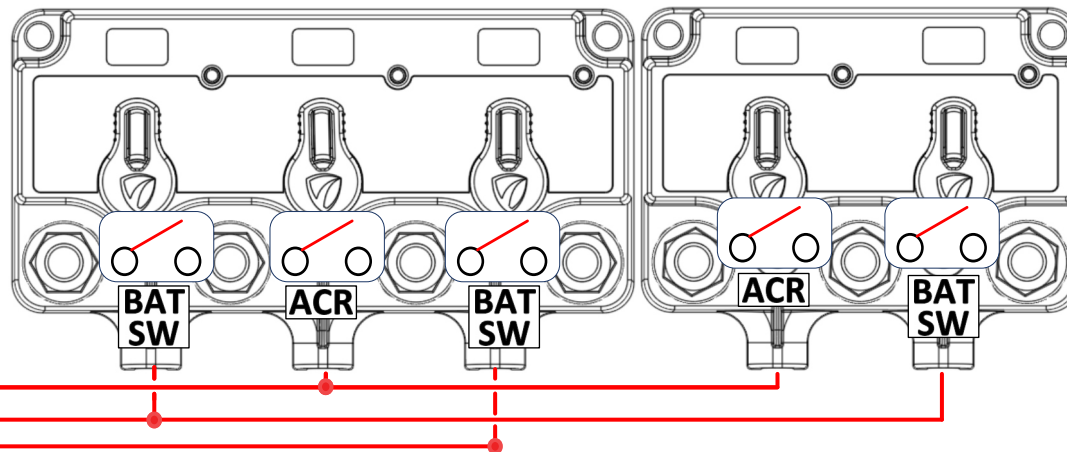
| REVISIONS | | | | |
|-----------|------|-------------|------|----------|
| ZONE | REV. | DESCRIPTION | DATE | APPROVED |
| | | | | |

See detailed specification sheets for complete wiring options including optional dual wire remote control, single wire pulse control, start isolation inputs, ground connections, and VSR Open/Close dual control.

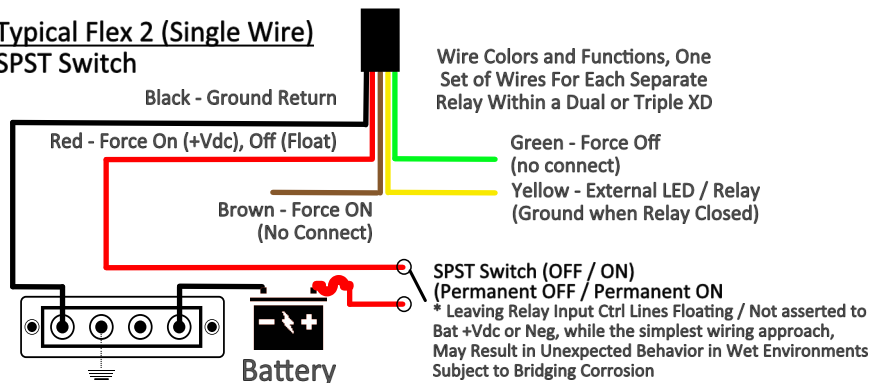
House/Engine Remote SPST Switch Permanent On/Off
Optional Emergency Parallel SPST Switch Momentary On



House Control Switch SPST Switch Permanent On/Off
Engine(s) Control Switch SPST Switch Permanent On/Off
Optional Emergency Parallel SPST Switch Momentary On



Typical Flex 2 (Single Wire) SPST Switch



Wire Colors and Functions, One Set of Wires For Each Separate Relay Within a Dual or Triple XD

Green - Force Off (no connect)
 Yellow - External LED / Relay (Ground when Relay Closed)

SPST Switch (OFF / ON) (Permanent OFF / Permanent ON)
 * Leaving Relay Input Ctrl Lines Floating / Not asserted to Bat +Vdc or Neg, while the simplest wiring approach, May Result in Unexpected Behavior in Wet Environments Subject to Bridging Corrosion

While VSR control switch could be a SPST permanent ON or even a SPDT with force Open and Closed signals, Egis Mobile Electric always recommends momentary ON control switches for controlling Voltage Sensitive Relays in order to ensure that a boater will inadvertently leave all batteries tied together and later on deplete all batteries.

Additional Information

| | | | |
|---|--|---------|---|
| <small>UNLESS OTHERWISE SPECIFIED, DIMENSIONS ARE IN MILLIMETERS .XX = ±.13 ANGULAR = ±° XXX = ±.050 FRACTIONAL = 1</small> | NAME | DATE | Egis Mobile Electric 3135 Mercer Ave, Ste 102 Bellingham, WA 98225, USA |
| | DRAWN | | |
| | CHECKED | | |
| | APPROVED | | |
| DO NOT SCALE DRAWING | TITLE XD Relay System - Recommended Remote Switch Configurations | | SCALE NTS |
| BREAK ALL SHARP EDGES AND REMOVE BURRS | SIZE C | DWG NO. | REV. |
| THIRD ANGLE PROJECTION | THIS DRAWING AND THE INFORMATION CONTAINED WITHIN IT ARE CONFIDENTIAL AND MAY NOT BE COPIED OR DISCLOSED WITHOUT THE WRITTEN PERMISSION OF EGIS MOBILE ELECTRIC. | | SHEET 1 of 1 |