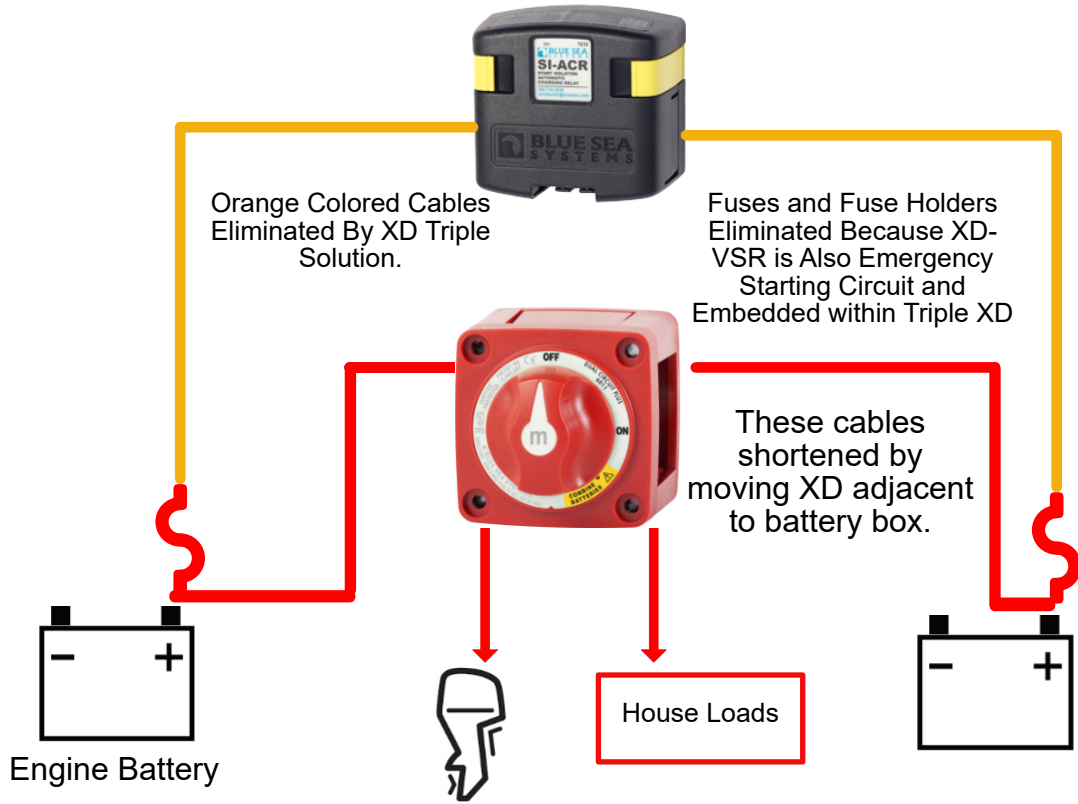
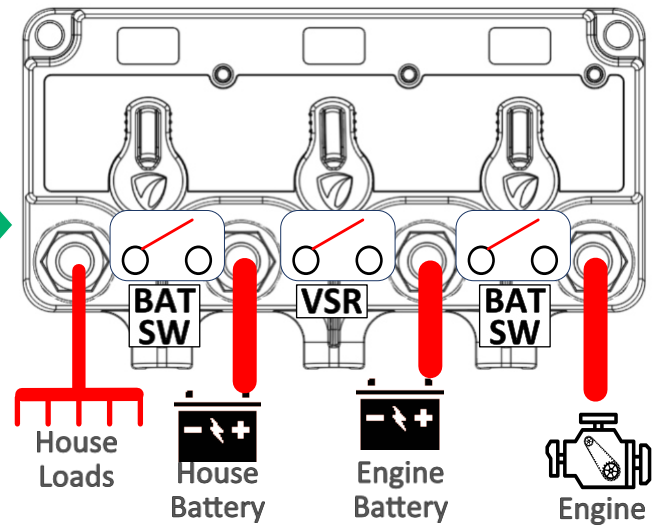


### Example of Typical Legacy Manual Battery Switch Approach



REVISIONS				
ZONE	REV.	DESCRIPTION	DATE	APPROVED

### Improved Approach With XD Relay



**Additional Information**

Example PN	Primary Features
8730-1939B	Value-focused solution - Manual-only switching for house and engine loads at device, Full VSR capability including remote and manual parallel.
8730-1535B	Full remote and manual capable battery switches and VSR. Flying wires for installs not interested in sealed Deutsch style connectors
8830-1535B	Full remote and manual capable battery switches and VSR. Individual DTM connectors for each relay if replacing legacy ML Series Relays
8830-2535B	Full remote and manual capable battery switches and VSR. Single Deutsch DT connector helps error-proof production.

Significant Benefits from XD Approach
<b>300 Amp capable VSR offer future-proof capability</b>
<b>Saves space and cost from fewer parts, less and shorter cables &amp; fuses</b>
<b>Advanced VSR algorithm prevents cycling, optimizes charging</b>
<b>90% lower parasitic off-state power draw on average.</b>
<b>Remote switching discourages boaters from setting and leaving batteries combined, increasing safety afloat, and optimizing the longevity of the engine battery.</b>
<b>Fully adjustable VSR open &amp; close settings</b>

• Additional product variations available for Lithium Battery applications, no knobs in specific locations, and single wire pulse on/pulse off control requirements. Contact Egis Mobile Electric for details.

UNLESS OTHERWISE SPECIFIED, DIMENSIONS ARE IN MILLIMETERS _XX ± .13 ANGULAR = ± ° XXX ± .050 FRACTIONAL = 1/16	DRAWN	NAME	DATE	<p>Egis Mobile Electric 3135 Mercer Ave, Ste 102 Bellingham, WA 98225, USA</p>
CHECKED	APPROVED	TITLE	XD Relay System - Dual Battery System	
SURFACE FINISH ✓	DO NOT SCALE DRAWING	SIZE	C	
BREAK ALL SHARP EDGES AND REMOVE BURRS	THIRD ANGLE PROJECTION	SCALE	NTS	
THIS DRAWING AND THE INFORMATION CONTAINED WITHIN IT ARE CONFIDENTIAL AND MAY NOT BE COPIED OR DISCLOSED WITHOUT THE WRITTEN PERMISSION OF EGIS MOBILE ELECTRIC.		REV.	1	SHEET
		1 of 1		