

Silver Alloy Electrical Contacts Support High Ampere/Full Voltage Switching Without Degradation to Contacts or Switch Resistance. Improved Lifespan and Performance Versus Legacy Rotary Style Switches

Purpose Designed Surface Mount Form Factor Simplifies Switch Mounting and Battery Cable Assembly

500 Amp Continuous Capability in a 40% Smaller Footprint Utilizing 30% Less Depth From the Mounting Surface

Color Coded ON/OFF Positions and Bright Yellow Knob Ensures Rapid/Safe Operation

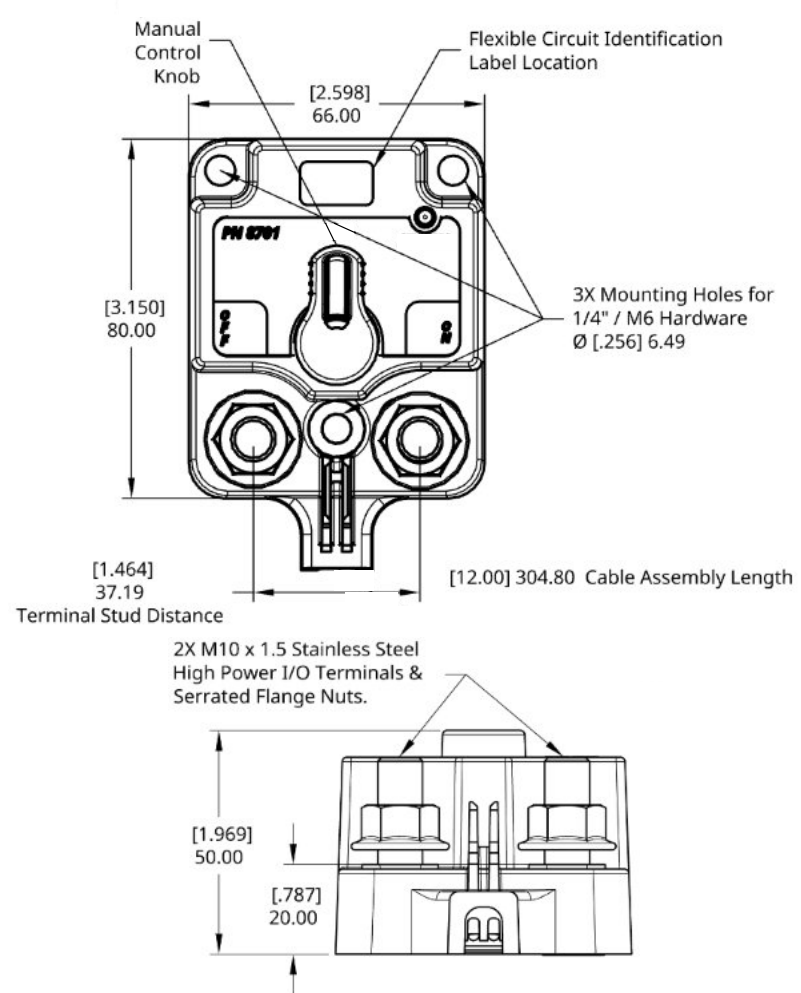
Fully Sealed Enclosure with Goretex Pressure Regulation Vent for Maximum Robustness

Removable Cover Protects Power Input and Output Terminals

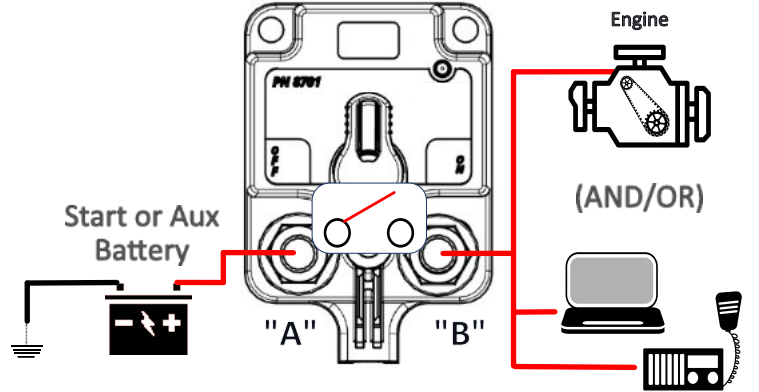
PATENT PENDING



Dimensions



System Diagram



SpecificaBons

Input Voltage Range (Vdc)	8.0 - 36.0
Live Current Switching -10,000 cycles	12V/300A, 24V/150A
Mechanical Switching Life	1,000,000 cycles
2/0 AWG - 30sec/5min/Continuous	1000 / 400 / 225 Amps
4/0 AWG - 30sec/5min/Continuous	1100 / 400 / 300 Amps
2x 4/0 - 30sec/5min/Continuous	1600 / 700 / 500 Amps
Hardware Material	Stainless Steel Self-Locking
Terminal Stud Torque	140 in-lbs
Temperature Range (Ambient)	-40 C to 125 C
Shock , 10,000 cycles	20g
Vibration, 0.020" Amplitude, xyz	24 hr, 10 Hz to 60 Hz , 0.020"
Ignition Protected	SAE J1171
Environmental Protection	IP67, IP6K9K
Mechanical Cycles (min)	10,000 cycles