

500 Amp Continuous Capability / Extremely Compact Footprint

Available With or Without Intuitive Front Facing Manual Override Knob with Ability to Lock Device ON or OFF for Servicing

Flexible Functionality via Dip Switches, utilize as a Relay/Battery Disconnect, Automatic Charging Relay, or Low Voltage Disconnect

Supports Single/Multiple Engine Installations with Dual Start/Engine Isolation Inputs


Remote ON/OFF/Auto Input Allows Forced Close or Open or Allowing Automatic Operation based on Voltage


Local and Remote LED Indicators





PATENT PENDING




 **Ultra-Low Power Draw:** Lowest off-state current draw in industry (1.3 mA)


 **Simple & Robust Installation:** Sealed plug/harness included. Combined timer & high-amp relay reduces install time/costs. Optional output bus bar connects RT or CT fuse blocks.

 **Flexible Application Options:** Install as a Time Delay Relay, Battery Management Relay, Low Voltage Disconnect, or Simple Relay. On/Off trigger via external Ignition signal and/or alternator voltage sense and adjustable low voltage protection levels increase flexibility

 **Adjustable Optional OFF Time Delay:** 0 seconds to 4 hours.

 **Diagnostic Feedback** via optional external led and on-board LEDs

 **Bullet-proof Construction:** Sealed unit, high temperature materials allow mounting anywhere on vehicle. Integrated thermal overload protection

 **Optional Kill Switch** eliminates need for using thermal circuit breakers as service maintenance switches, reducing voltage drop to electrical loads.

 **Meets Stringent OEM Standards** for electrical transient self-protection

 **4 Year Industry Leading Warranty**

Dip Switch Setting Options & Features

*** DISCONNECT BATTERY FROM POWER DISTRIBUTION SYSTEM BEFORE INSTALLING PRODUCT TO PREVENT ELECTRICAL SHOCK OR PRODUCT DAMAGE**

DIP SWITCH ON BOTTOM OF DEVICE

Disconnect Voltage	OFF Time Delay
5 4	3 2 1
<input type="checkbox"/> <input type="checkbox"/> 12.0	<input type="checkbox"/> <input type="checkbox"/> <input type="checkbox"/> 4 HR
<input type="checkbox"/> <input type="checkbox"/> 11.5	<input type="checkbox"/> <input type="checkbox"/> <input type="checkbox"/> 2.0 HR
<input type="checkbox"/> <input type="checkbox"/> 11.0	<input type="checkbox"/> <input type="checkbox"/> <input type="checkbox"/> 1.5 HR
<input type="checkbox"/> <input type="checkbox"/> OFF	<input type="checkbox"/> <input type="checkbox"/> <input type="checkbox"/> 1 HR
	<input type="checkbox"/> <input type="checkbox"/> <input type="checkbox"/> 30 MIN
	<input type="checkbox"/> <input type="checkbox"/> <input type="checkbox"/> 15 MIN
	<input type="checkbox"/> <input type="checkbox"/> <input type="checkbox"/> 5 SEC
	<input type="checkbox"/> <input type="checkbox"/> <input type="checkbox"/> 0 SEC

BAT 1 Charge Sense

6

OFF

ON

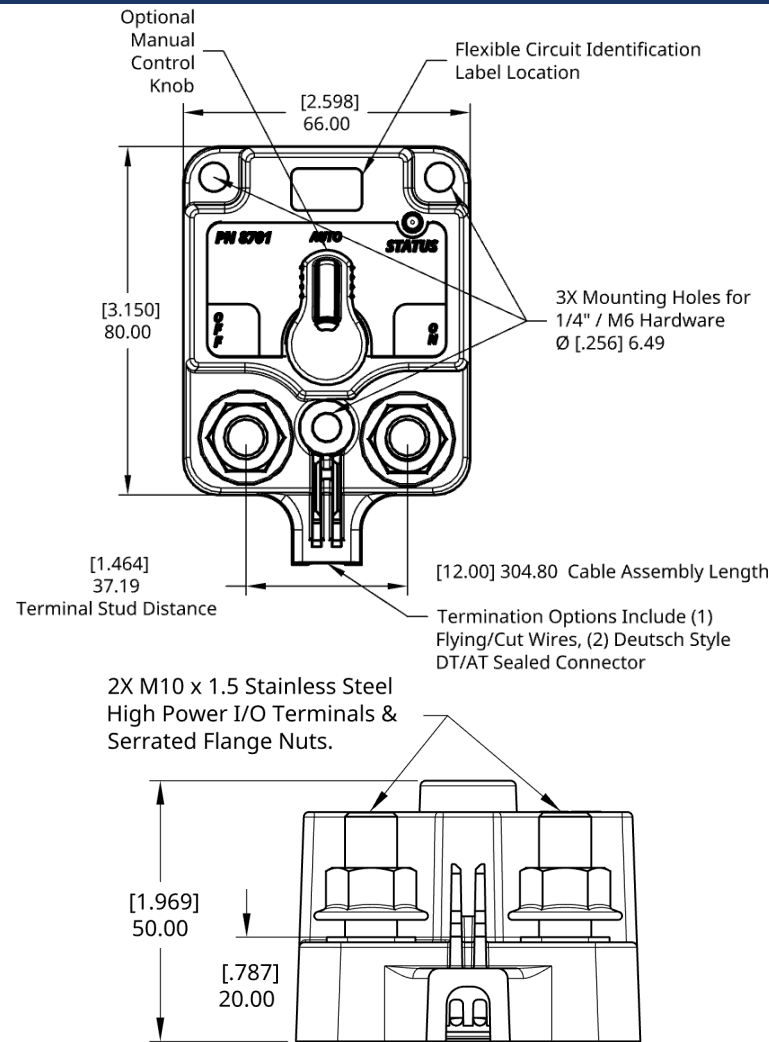
= Factory Default

DS1-DS3 sets delay between Off Trigger and Relay OFF. 0 SEC is for install testing or pure relay functionality without time delay

DS4-DS5 defines LVD disconnect voltage (15 sec delay, overrides time delay)

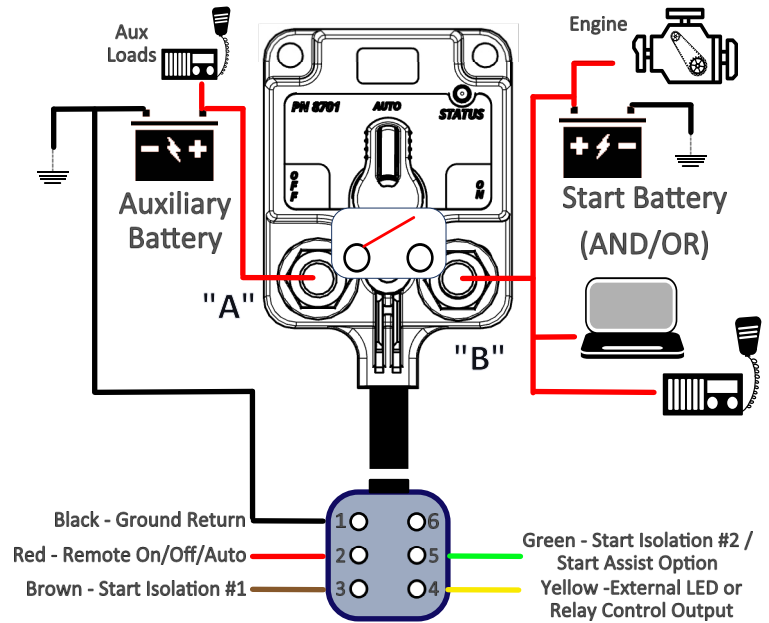
DS6 determines if input stud Voltage Sense will trigger Relay ON/OFF events.

Dimensions



* Custom product configurations available including control harness wires, time delays, voltage settings, dip switch functionality, and control input functionality. Low minimum quantities and short lead time for samples or production. Contact support@egismobile.com

System Diagram



DTM 06-6S Connector End. Customer Supplies
DTM04-6P or Cuts & Uses Individual Wire Terminations

Specifications

Input Voltage Range (Vdc)	8.0 - 36.0 Auto-Ranging	
Nominal Voltage (Vdc)	12	24
120 sec Close Voltage Range (Vdc)	13.1	26.2
30 sec Close Voltage Range (Vdc)	13.7	27.2
30 sec Open Voltage Range (Vdc)	12.7	24.4
10 sec Open Voltage Range (Vdc)	11.9	23.8
Over Voltage Protection (Vdc) (5 sec)	17.0	34.0
State Change Current (20 msec)	5.0 A	3.0 A
Standby Current (mA)	1.3	1.3
Live Current Switching -50,000 cycles	12V/300A	24V/300A
Mechanical Switching Life	1,000,000 cycles	
2/0 AWG - 30sec/5min/Continuous	1000 / 400 / 225 Amps	
4/0 AWG - 30sec/5min/Continuous	1100 / 400 / 300 Amps	
2x 4/0 AWG - 30sec/5min/Cont.	1600 / 700 / 500 Amps	
Hardware Material	Stainless Steel Self-Locking	
Terminal Stud Torque	120 in-lbs	
LED/Aux Output Max Drive Current	400 milli-Amps	
Min Source Current for Inputs	10 micro-Amps	

Part Numbers Knob Connection Resell Pack Bulk Pack

XD Flex Relay/ACR	Yes	Tinned Wire	8710-1100	8710-1100B
XD Flex Relay/ACR	No	Tinned Wire	8710-1200	8710-1200B
XD Flex Relay/ACR	Yes	Deutsch DTM	8810-1100	8810-1100B
XD Flex Relay/ACR	No	Deutsch DTM	8810-1200	8810-1200B

Related Products

	Knob	Resell Pack	Bulk Pack
XD Battery Disconnect Switch	Yes	8710-1500	8710-1500B
XD Battery Disconnect Switch	No	8710-1600	8710-1600B
XD Automatic Charging Relay ACR	Yes	8710-1400	8710-1400B
Dual XD Flex - Relay / ACR / LVD	Yes	8720-1110	8720-1110B



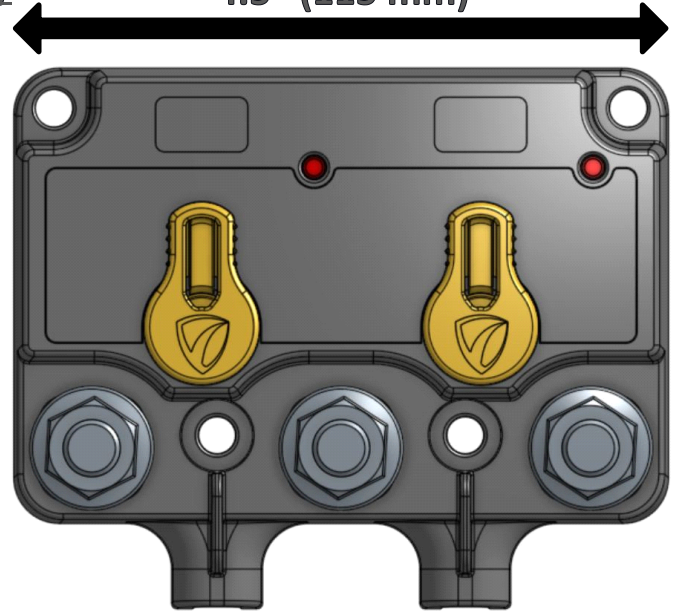
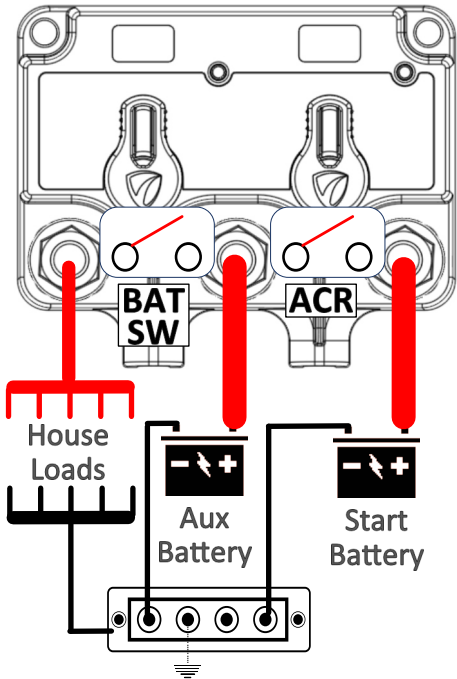
www.egismobile.com
360.768.1211
Bellingham, WA U.S.A



8720 - Dual XD Relay

4.5" (115 mm)

Ex: 8720-1530B

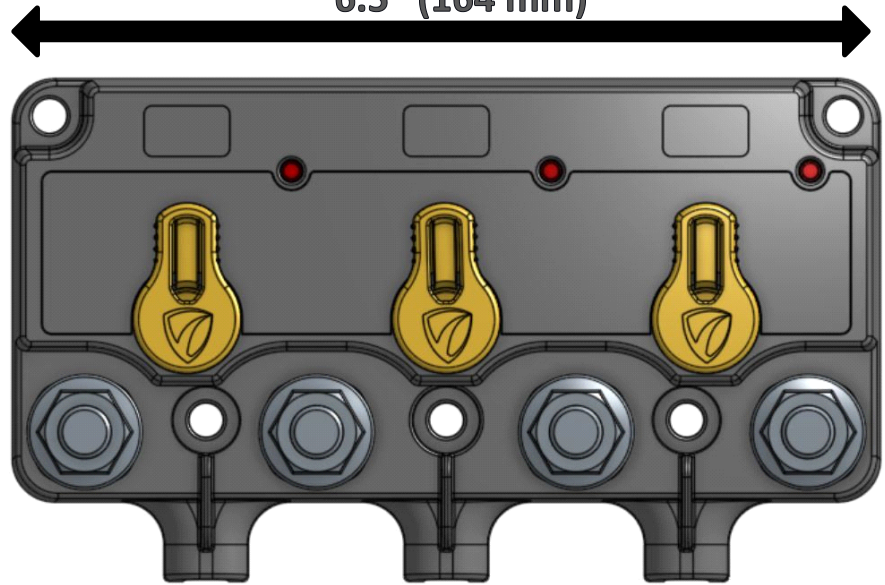
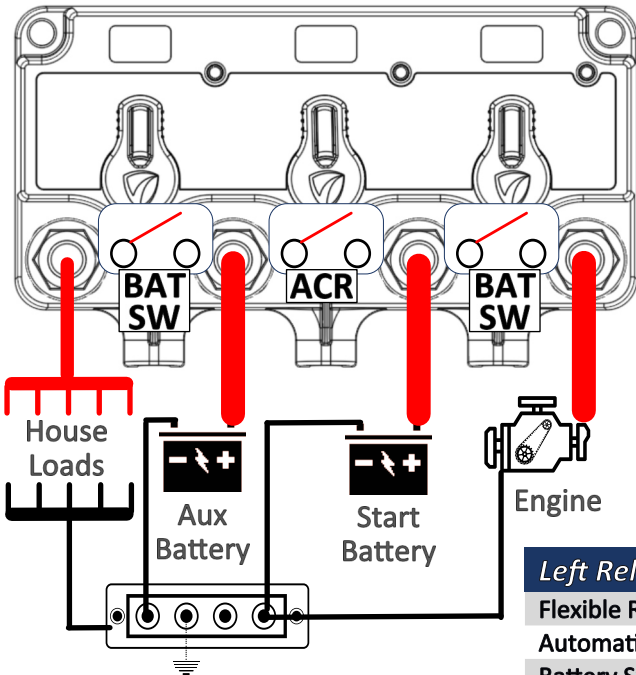


Left Relay Function	Right Relay Function	Part #
Flexible Relay/ACR/LVD	Flexible Relay/ACR/LVD	8720-1110B
Automatic Charge Relay	Battery Switch Relay	8720-1350B
Battery Switch Relay	Automatic Charge Relay	8720-1530B
Automatic Charge Relay	Automatic Charge Relay	8720-1330B

8730 - Triple XD Relay

6.5" (164 mm)

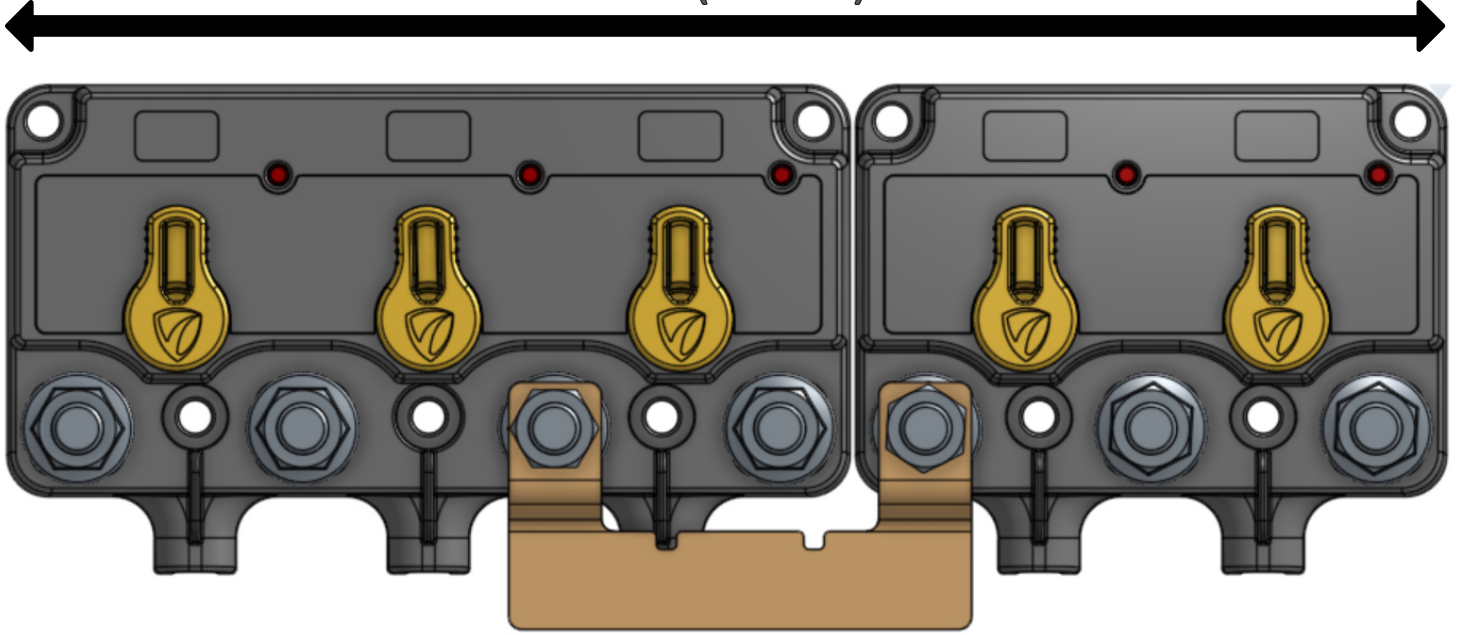
Ex: 8730-1535B



Left Relay Function	Center Relay Function	Right Relay Function	Part #
Flexible Relay/ACR/LVD	Flexible Relay/ACR/LVD	Flexible Relay/ACR/LVD	8730-1111B
Automatic Charge Relay	Automatic Charge Relay	Automatic Charge Relay	8730-1333B
Battery Switch Relay	Automatic Charge Relay	Battery Switch Relay	8730-1535B

Triple Battery Relay / ACR Cluster

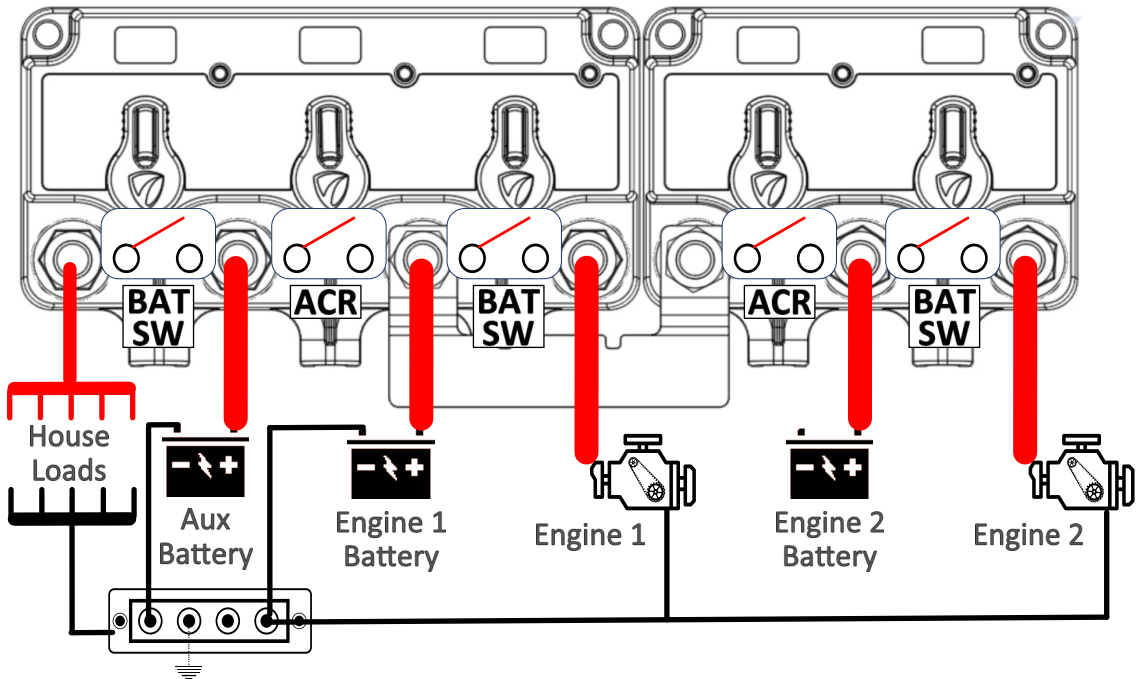
11" (280 mm)



8791 Cross-Over Busbar

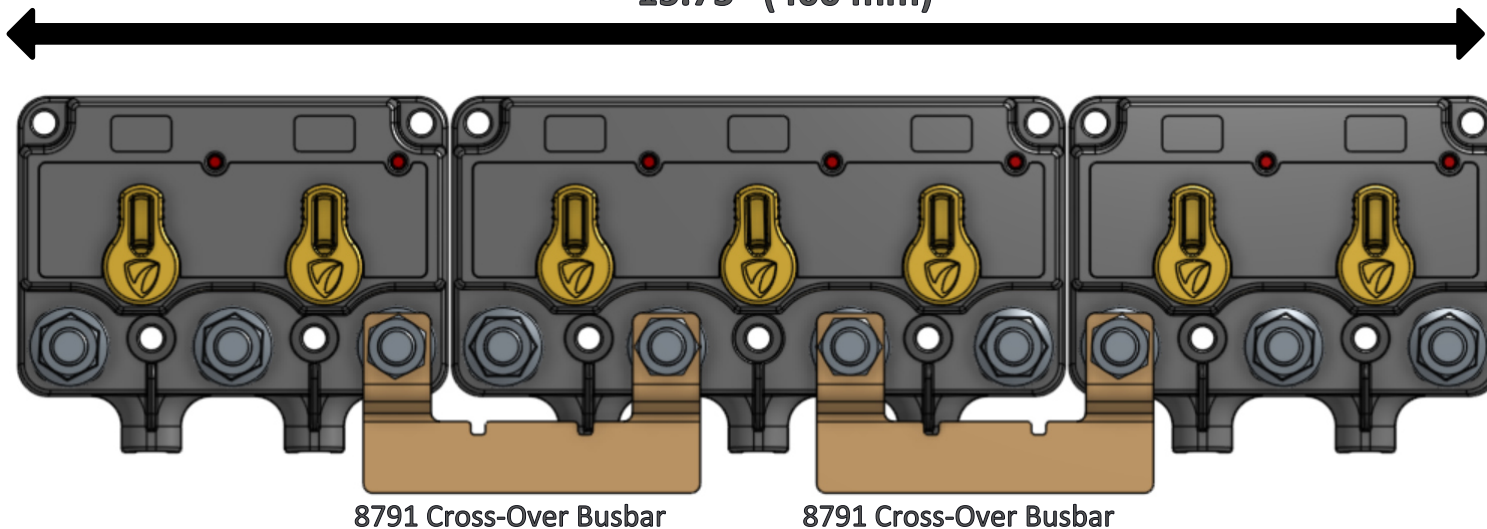
Ex: 8730-1535

Ex: 8720-1350



Quad Battery Bank Relay / ACR Cluster

15.75" (400 mm)



Ex: 8720-1530

Ex: 8730-1535

Ex: 8720-1350

