

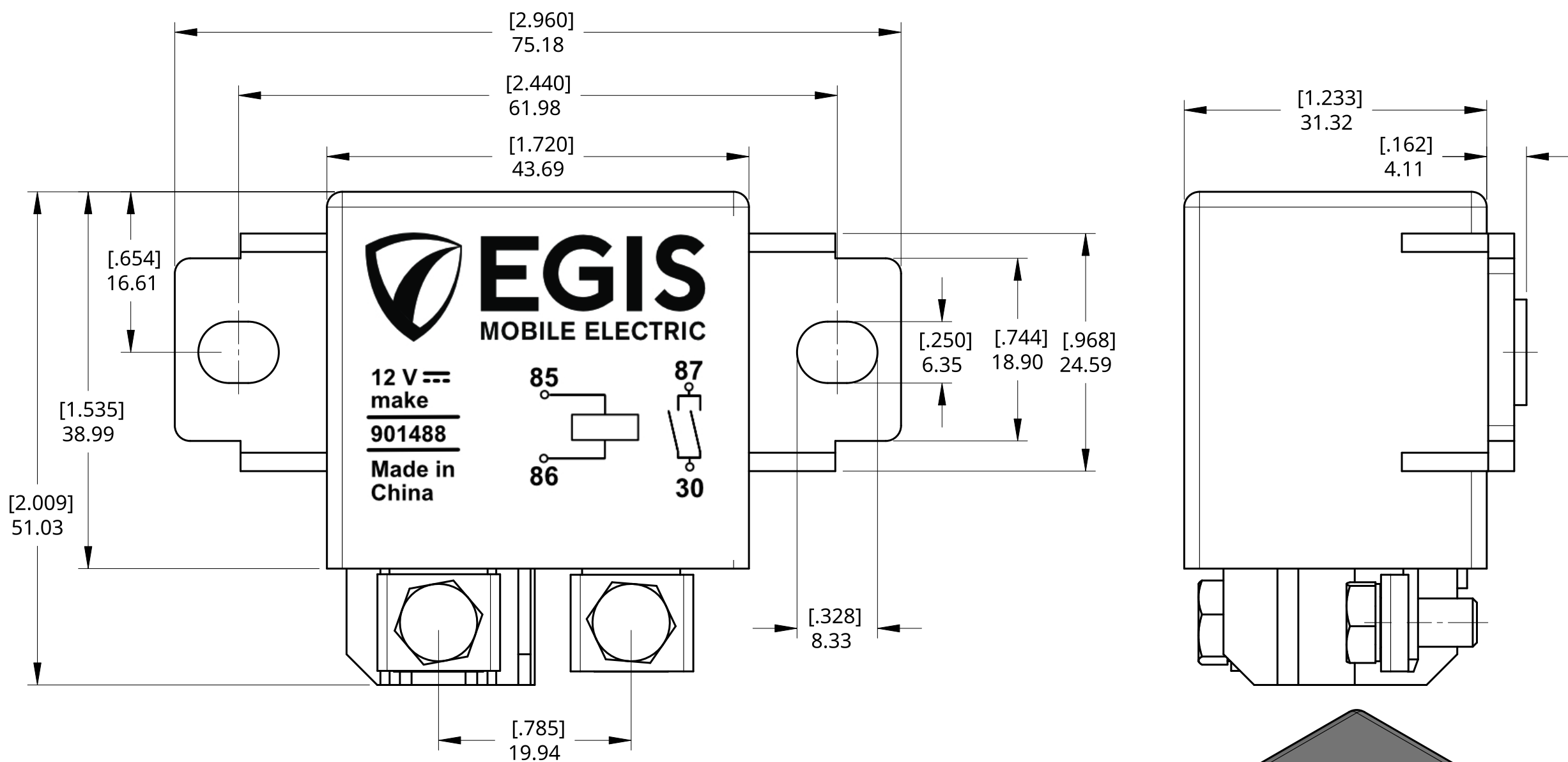
4

3

2

1

REVISIONS				
ZONE	REV.	DESCRIPTION	DATE	APPROVED
	B	COUNTRY OF ORIGIN ON LASER MARK/SILKSCREEN CHANGED	10/4/21	

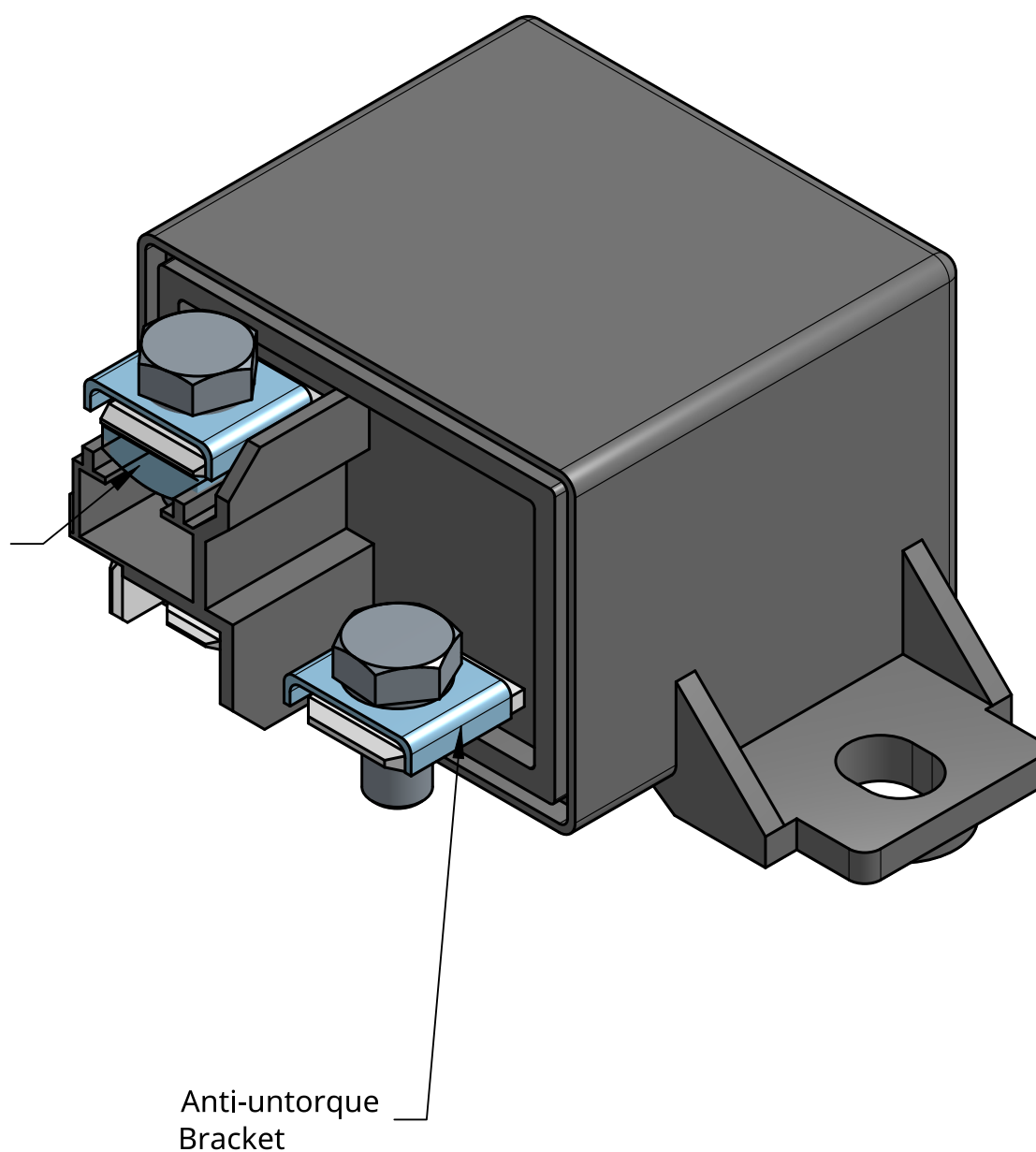
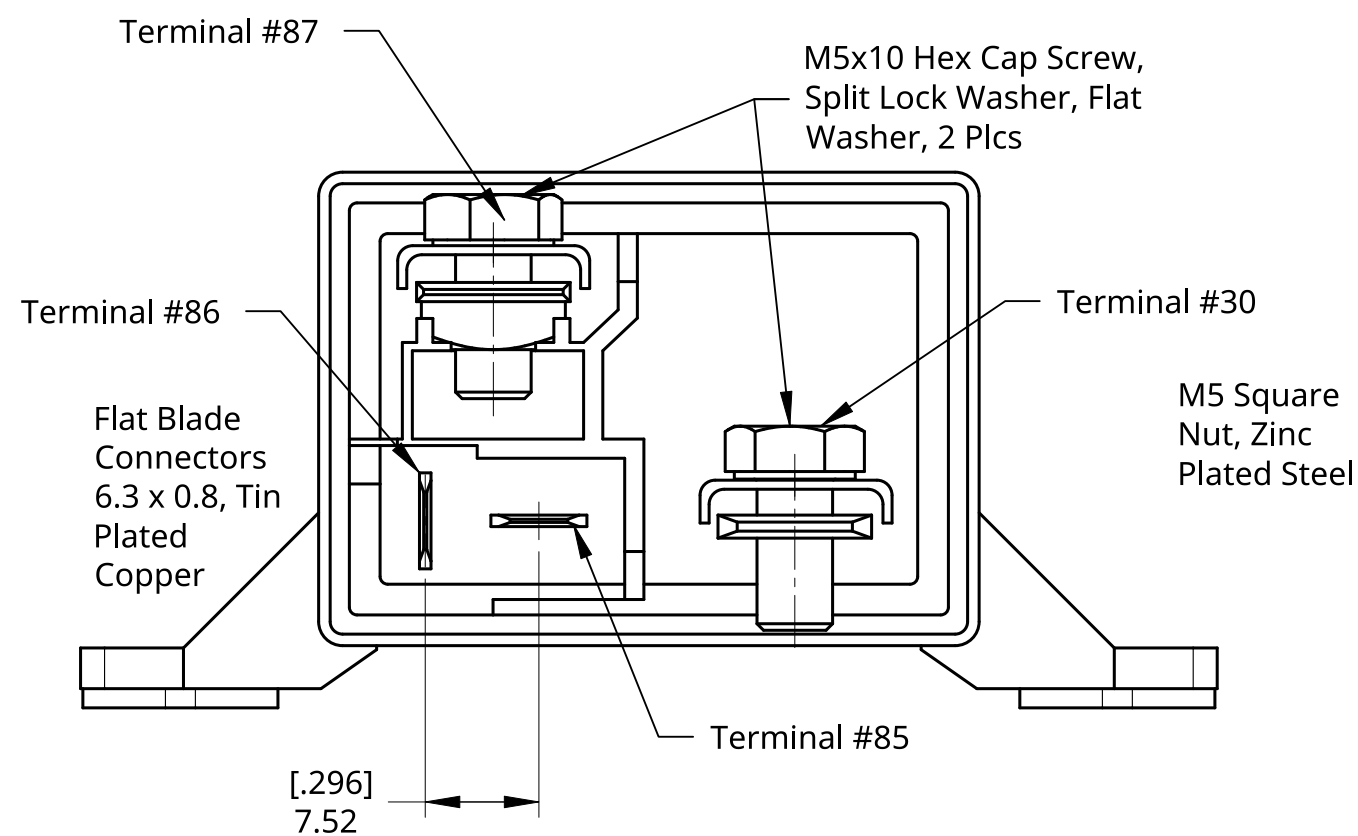


**Environmental Specifications**

Ignress Protection: IP54, sealing in accordance with IEC 68  
 Ambient temperature: -40°C to +125°C  
 Dry heat, IEC 60068-2-2: 500h at 100°C  
 Damp heat constant, IEC 60068-2-3 (78), Ca  
 - 56 days, 40°C, 93% RH  
 Corrosive gas  
 - IEC 60068-2-42: 10 days  
 - IEC 60068-2-43: 10 days  
 Vibration resistance (functional)  
 - IEC 60068-2-6 (sine sweep): 10 to 500Hz >5g)  
 Shock resistance (functional)  
 - IEC 60068-2-27 (half sine): 11ms >20g)  
 Drop test, free fall  
 - IEC 60068-2-32: 1m onto concrete  
 Terminal retention  
 pull force: 100N  
 push force: 100N  
 torque: 0.3Nm  
 Weight approx.: 38g (1.3oz)

**Contact Specifications**

Contact arrangement: 1 Form A / 1 NO Bi-Furcated  
 Rated current: 50A at 85°C  
 Limiting continuous current  
 - 23°C: 75A  
 - 85°C: 50A  
 - 125°C: 20A  
 Limiting making current, load current max. 3s on,  
 - make/break ratio(1:10): 150A  
 Limiting breaking current: 75A  
 Contact material: Silver Tin Oxide  
 Min. recommended contact load: 1A at 12VDC  
 Initial contact resistance: 50mOhm @ 0.1 A / 6 Vdc  
 Frequency of operation, with/without load: 6 ops./min  
 Operate/release time typ. at nominal voltage: 7/2ms  
 Electrical endurance  
 - resistive load: 100,000 cycles at 75A, 13.5VDC  
 Mechanical endurance: >1,000,000 operations  
 Rated coil power: 3.3W  
 Max. coil temperature: 155°C  
 Rated Voltage: 12 Vdc  
 Operate Voltage: 8.8 Vdc  
 Release Voltage: 1.5 Vdc  
 Coil Resistance (+/- 10%): 46 Ohms  
 Rated Coil Power: 3.1 Watts



UNLESS OTHERWISE SPECIFIED, DIMENSIONS ARE IN MILLIMETERS .XX = ±.13 ANGULAR = ± ° .XXX = ±.050 FRACTIONAL = ±	NAME	DATE	Egis Mobile Electric 3135 Mercer Ave, Ste 102 Bellingham, WA 98225, USA	
	DRAWN	Eric Graham		07/22/2021
	CHECKED			
	APPROVED			
DO NOT SCALE DRAWING	TITLE		901488	
BREAK ALL SHARP EDGES AND REMOVE BURRS	TITLE		75A/12V RELAY - DUAL CONTACT	
THIRD ANGLE PROJECTION	SIZE	DWG NO.	REV.	
	C			
THIS DRAWING AND THE INFORMATION CONTAINED WITHIN IT ARE CONFIDENTIAL AND MAY NOT BE COPIED OR DISCLOSED WITHOUT THE WRITTEN PERMISSION OF EGIS MOBILE ELECTRIC.	SCALE	WEIGHT	SHEET	
	NTS		1 of 1	

4

3

2

1

D

D

C

C

B

B

A

A