

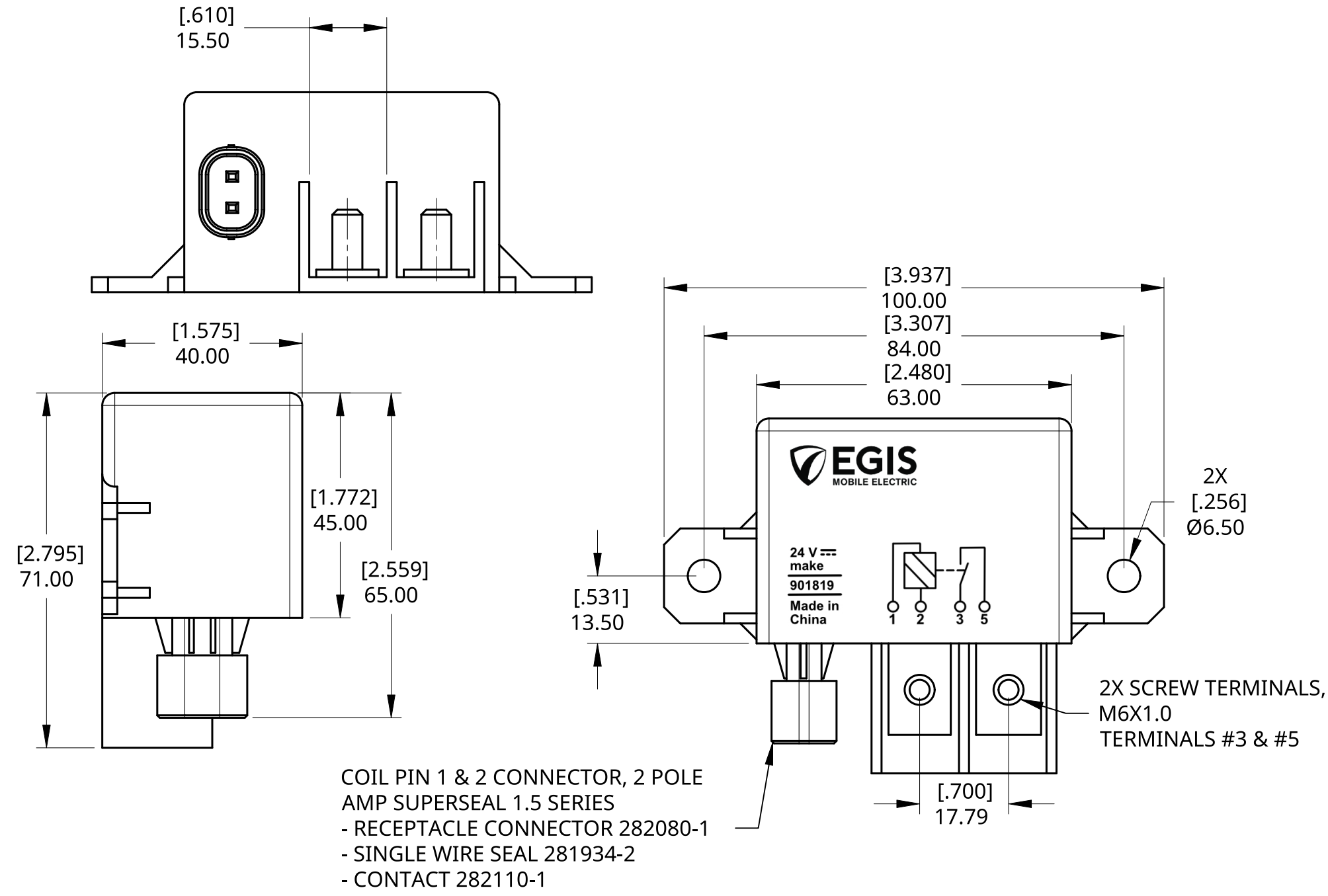
4

3

2

1

REVISIONS				
ZONE	REV.	DESCRIPTION	DATE	APPROVED

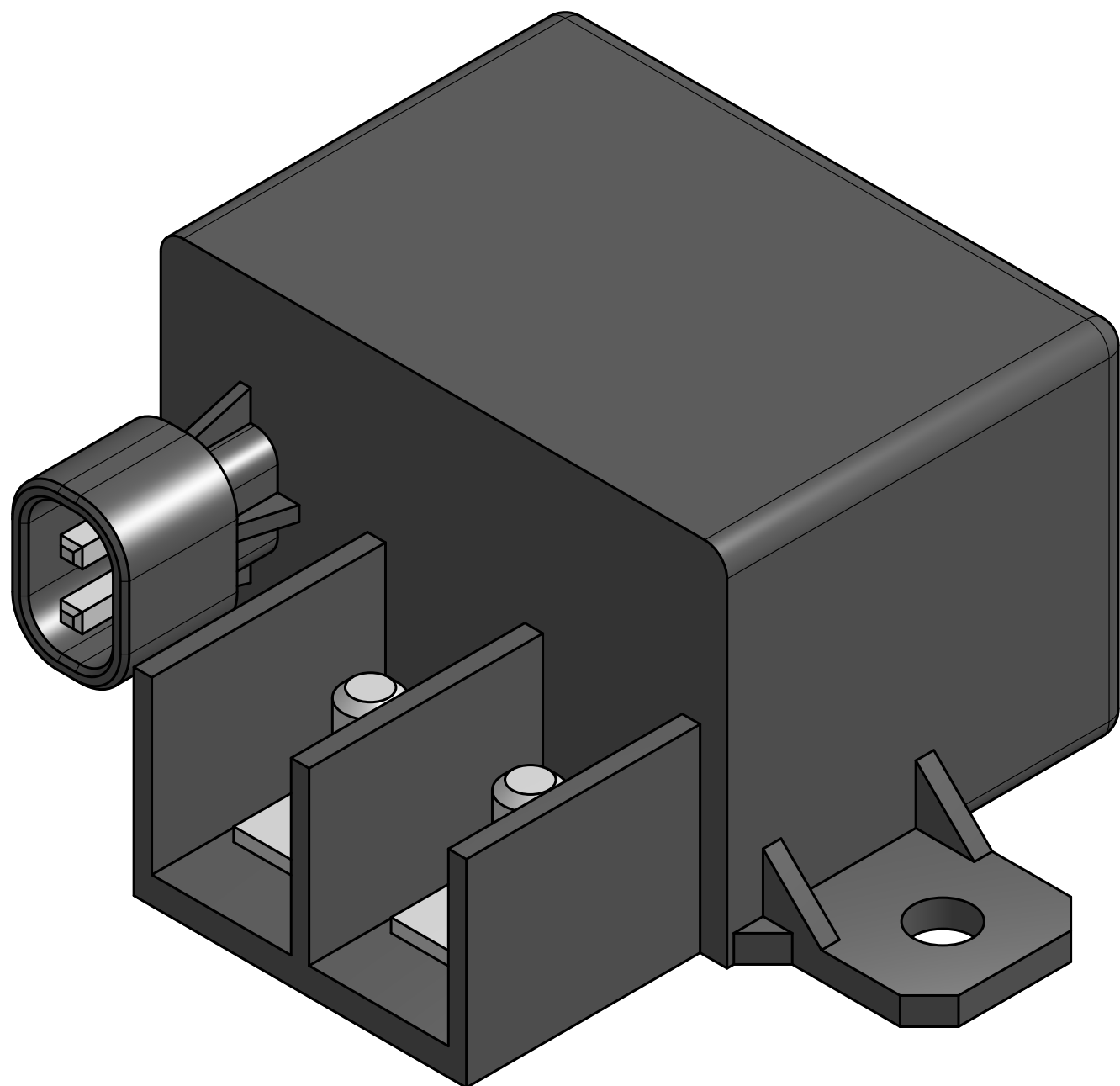
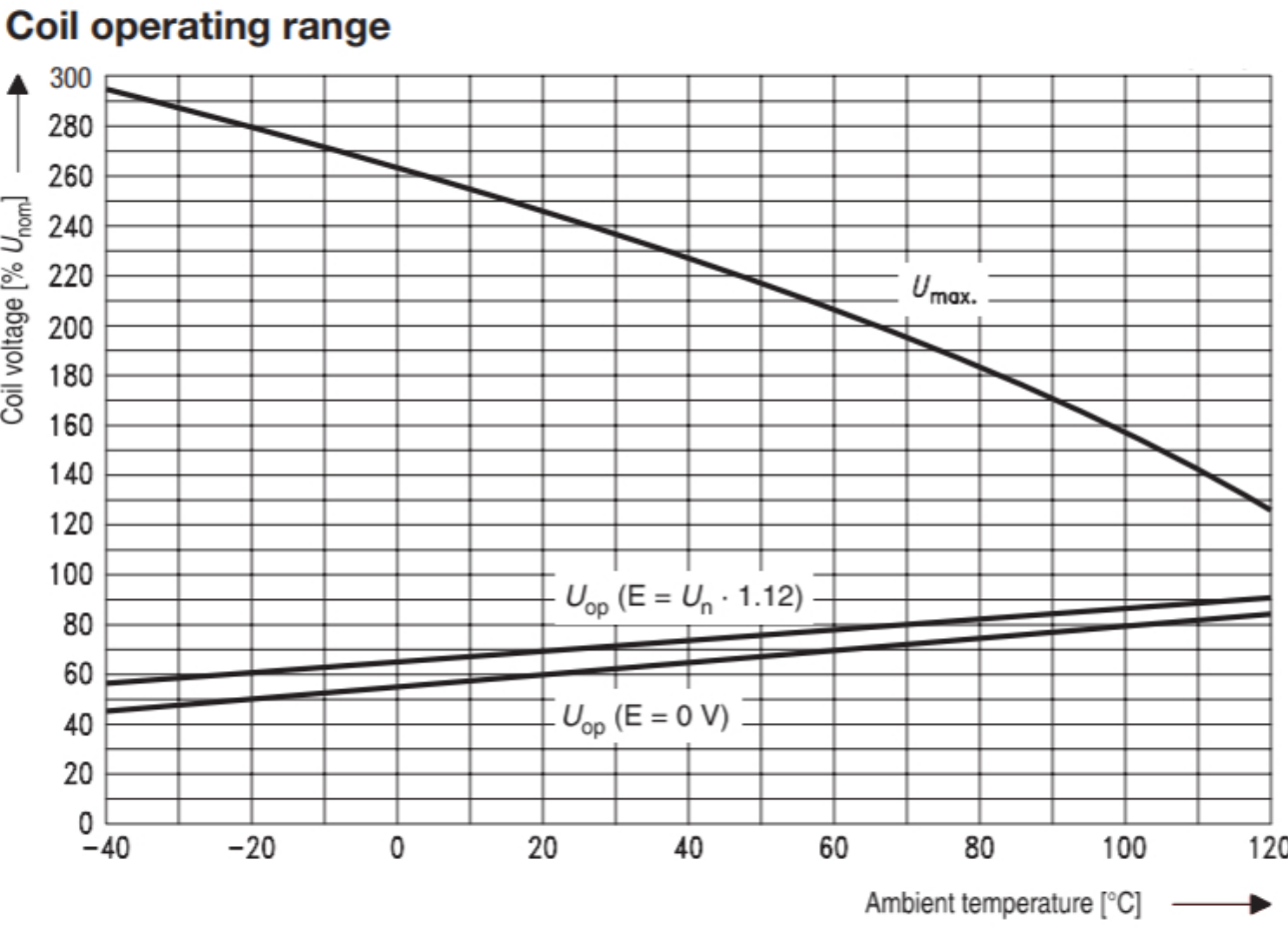


**Environmental Specifications**

- Ingress Protection: IP67
- Ambient temperature: -40°C to +125°C
- Dry heat, IEC 60068-2-2: 500h at 100°C
- Damp heat constant, IEC 60068-2-3 (78), Ca - 500h, 40°C, 93% RH
- Corrosive gas
- IEC 60068-2-42: 10 days
- IEC 60068-2-43: 10 days
- Vibration resistance (functional)
- IEC 60068-2-6 (sine sweep): 10 to 200Hz >5g<sub>2</sub>
- Shock resistance (functional)
- IEC 60068-2-27 (half sine): 6ms >20g<sub>2</sub>
- Drop test, free fall
- IEC 60068-2-32: 1m onto concrete
- Terminal retention
- pull force: 150N
- push force: 150N
- resistance to bending: 20N
- force applied to side: 20N
- torque: 5Nm
- Weight approx.: 220g (7.8oz)

**Contact Specifications**

- Contact arrangement: 1 Form A / 1 NO
- Rated current, cable 25mm<sup>2</sup>: 130A at 85°C
- Limiting continuous current
- 23°C, load cable 16mm<sup>2</sup>: 130A
- 85°C, load cable 16mm<sup>2</sup>: 120A
- 125°C, load cable 16mm<sup>2</sup>: 60A
- 23°C, load cable 25mm<sup>2</sup>: 180A
- 85°C, load cable 25mm<sup>2</sup>: 130A
- 125°C, load cable 25mm<sup>2</sup>: 70A
- Limiting making current, load current max. 3s on,
- make/break ratio(1:10): 150A
- Limiting breaking current: 65A
- Contact material: AgSnO<sub>2</sub>
- Min. recommended contact load: 1A at 5VDC
- Initial contact voltage drop, typ. at 100A: 70mV
- Frequency of operation, with/without load: 6 ops./min
- Operate/release time typ. at nominal voltage: 25/8ms
- Electrical endurance
- resistive load: 50,000 cycles at 150A, 27.0 VDC
- Mechanical endurance: >1,000,000 operations
- Max. coil temperature: 155°C
- Rated Voltage: 24 Vdc
- Min ON Operate Voltage: 14.4 Vdc
- Min Release Voltage: 2.4 Vdc
- Coil Resistance (+/- 10%): 141 Ohms
- Rated Coil Power: 4.1 Watts



UNLESS OTHERWISE SPECIFIED, DIMENSIONS ARE IN MILLIMETERS .XX = ±.13 ANGULAR = ± ° .XXX = ±.050 FRACTIONAL = ±	NAME	DATE
SURFACE FINISH ✓	Eric Graham	08/01/2022
DO NOT SCALE DRAWING	CHECKED	
BREAK ALL SHARP EDGES AND REMOVE BURRS	APPROVED	
THIRD ANGLE PROJECTION	THIS DRAWING AND THE INFORMATION CONTAINED WITHIN IT ARE CONFIDENTIAL AND MAY NOT BE COPIED OR DISCLOSED WITHOUT THE WRITTEN PERMISSION OF EGIS MOBILE ELECTRIC.	

		Egis Mobile Electric 3135 Mercer Ave, Ste 102 Bellingham, WA 98225, USA	
<b>TITLE</b> 901819 - HIGH AMP RELAY 150 AMP / 24 Vdc			
SIZE	DWG NO.	REV.	
C			
SCALE	NTS	WEIGHT	SHEET 1 of 1

4

3

2

1