

**Prevents** add-on equipment from draining batteries, maximizing operational readiness by eliminating dead batteries, saving total cost of operation.

**Ensures** equipment that needs power after engine off or at end of shift (video downloads) are satisfied while automatically turning off after a preset time or optionally if battery charge is low.

**Protects** sensitive on-board electronics via optional under/over voltage shutdown and start event isolation.



**PATENT PENDING**



**Ultra-Low Power Draw** eliminates vehicle downtime due to dead batteries. Lowest off-state current draw (1.3 mA).



**Simple & Robust Installation:** Integrated sealed plug eliminates corrosion, includes Deutsch/DTM connector harness



**Meets Stringent OEM Standards** for electrical transient self-protection



**Adjustable OFF Time Delay:** 15 minutes to 16 hours + 5 sec test mode



**Diagnostic Feedback** via optional external led and on-board LEDs



**Bullet-proof Construction:** Sealed unit, high temperature materials allow mounting anywhere on vehicle. Integrated thermal overload protection



**Start Isolation / Kill Switch** control input option for service technicians, emergency OFF, or protecting sensitive add-on equipment from engine cranking voltage fluctuation.



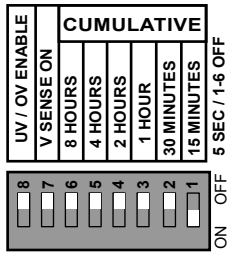
**Flexible Control Options** via Ignition Key, alternator voltage sense, or both.



**4 Year Industry Leading Warranty**

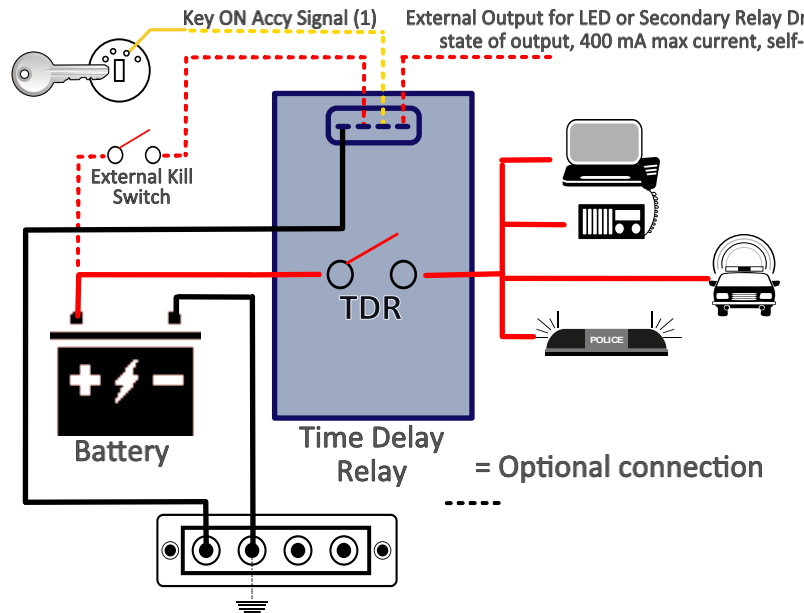
# Dip Switch Setting Options & Features

**\* DISCONNECT BATTERY FROM POWER DISTRIBUTION SYSTEM BEFORE INSTALLING PRODUCT TO PREVENT ELECTRICAL SHOCK OR PRODUCT DAMAGE**

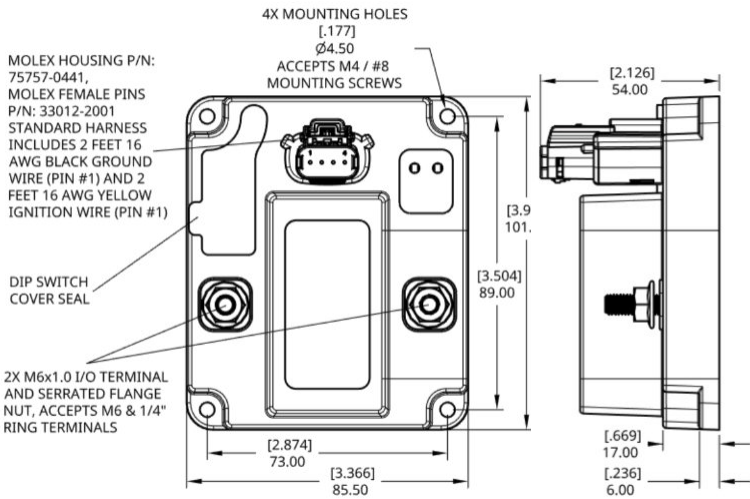


- 1) Use of Ignition Key On signal strongly recommended for all first responder installations to ensure rapid relay ON and maximize vehicle up-time in adverse situations.
- 2) Delay between Off Trigger and Relay OFF set with Dip Switches 1-6. Time Delay is cumulative (if DS1 and DS2 are On, Delay = 45 minutes).
- 3) If DS1 through DS6 = Off, Time Delay = 5 seconds for testing and operational verification
- 4) Input line voltage sense trigger enabled for ON and OFF Time Delay with Dip Switch 7
- 5) Under-Voltage and Over-Voltage Protection enabled with Dip Switch 8

# System Diagram



# Dimensions



# Specifications

Nominal Voltage (Vdc)	12
Input Voltage Range (Vdc)	8.0-18.0
Continuous Current (Amps)	200
Operating Current (Amps)	0.340 0.170
Max 5 Min Current (Amps)	240
Operating Current (mA) Standby / Open	1.3
Cable Size to Meet Ratings	2/0 AWG
Maximum Cable Size	2/0 AWG
Hardware Material	Stainless Steel Self-Locking
Terminal Stud Torque	80 in-lbs
Aux Output Pin #4 Max Drive Current	400 milli-Amps
Min Source Current (Pin #2 & #3 Inputs)	10 micro-Amps
Time Delay range (Adjustable)	5 Sec - 16 Hrs
Low Voltage Protection (15 Sec -Vdc)	11.0
Over Voltage Protection (15 Sec - Vdc)	17.0

# Methods of Operation

**Relay closes immediately if:**

- 1) Key ignition input > 8 Vdc
- 2) V\_sense = On and Input Stud Voltage > 13.3 Vdc

**Relay opens after time delay setting if:**

- 1) Key ignition input < 8 Vdc and V\_sense = Off
- 2) Key ignition input < 8 Vdc and V\_sense = On and input stud voltage < 12.8 Vdc

**UV / OV Lock (Under-voltage and Over-voltage Protection):**

- 1) If on, will turn of relay if input stud voltage < 10.5 Vdc or > 17.0 Vdc for 15 sec
- 2) Will turn off relay regardless of Key On accessory signal

**Kill switch input turns off relay immediately, will override all other relay on indicators.**

# Part Numbers

Part Numbers	Resell Pack	Bulk Pack
200A Top Hat Replacement TDR	6001-3001	6001-3001B

\* Custom product configurations available including stud sizes, control harness wires, time delays, voltage settings, dip switch functionality, and control input functionality. Low minimum quantities and short lead time for samples or production. Contact us at support@egismobile.com for more information



www.egismobile.com  
360.768.1211  
Bellingham, WA U.S.A

