

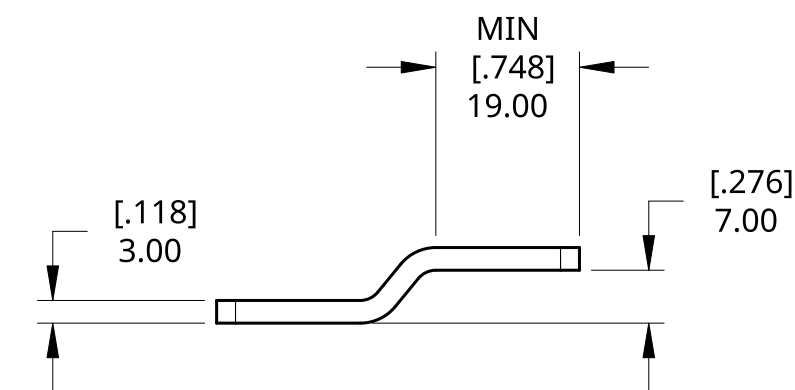
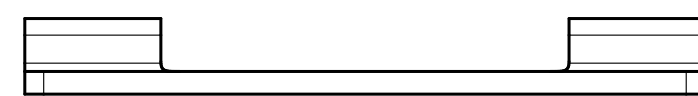
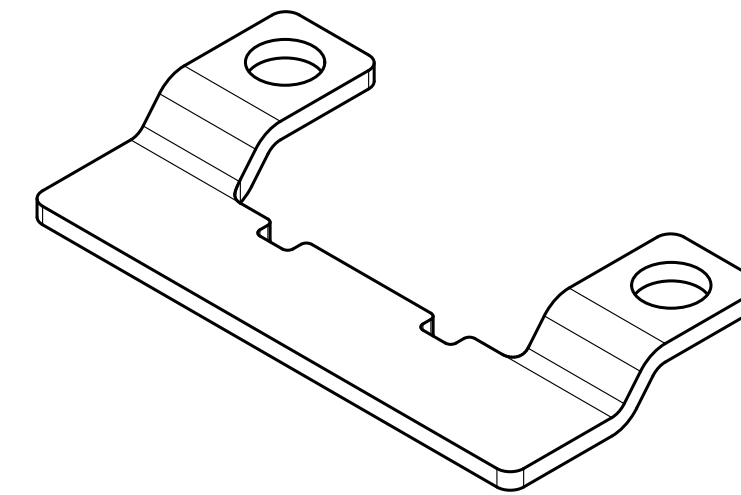
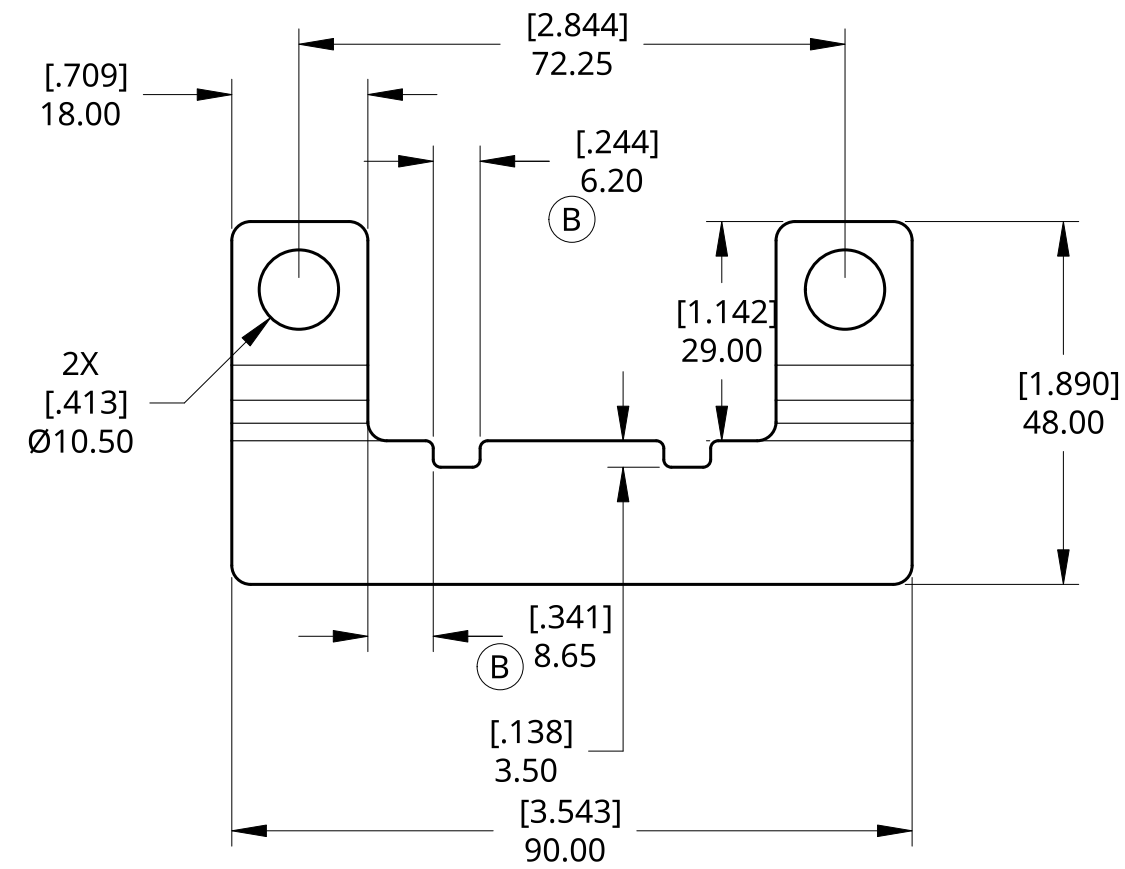
4

3

2

1


REVISIONS				
ZONE	REV.	DESCRIPTION	DATE	APPROVED
	B	WIDEN SLOTS FOR CASE RELIEF	7/25/21	E. GRAHAM



NOTES:

1. MATERIAL: COPPER C110 ETP OR EQUIVALENT ONLY IF APPROVED IN WRITING
2. FINISH: TIN PLATING 3 MICRO-METERS THICK
3. PACKAGING STACK AND BAG IN POLYBAG
4. BREAK ALL SHARP / PROTRUDING EDGES

 CRITICAL TO DESIGN

UNLESS OTHERWISE SPECIFIED, DIMENSIONS ARE IN MILLIMETERS .XX = ±.13 .XXX = ±.050	DRAWN	NAME	DATE	 Egis Mobile Electric 3135 Mercer Ave, Ste 102 Bellingham, WA 98225, USA
	CHECKED	Eric Graham	06/10/2021	
	APPROVED			
	TITLE			
DO NOT SCALE DRAWING		THIRD ANGLE PROJECTION		SIZE C
BREAK ALL SHARP EDGES AND REMOVE BURRS		THIS DRAWING AND THE INFORMATION CONTAINED WITHIN IT ARE CONFIDENTIAL AND MAY NOT BE COPIED OR DISCLOSED WITHOUT THE WRITTEN PERMISSION OF EGIS MOBILE ELECTRIC.		DWG NO.
SCALE NTS		WEIGHT		REV.
SHEET 1 of 1				

4

3

2

1

D

C

B

A