

4

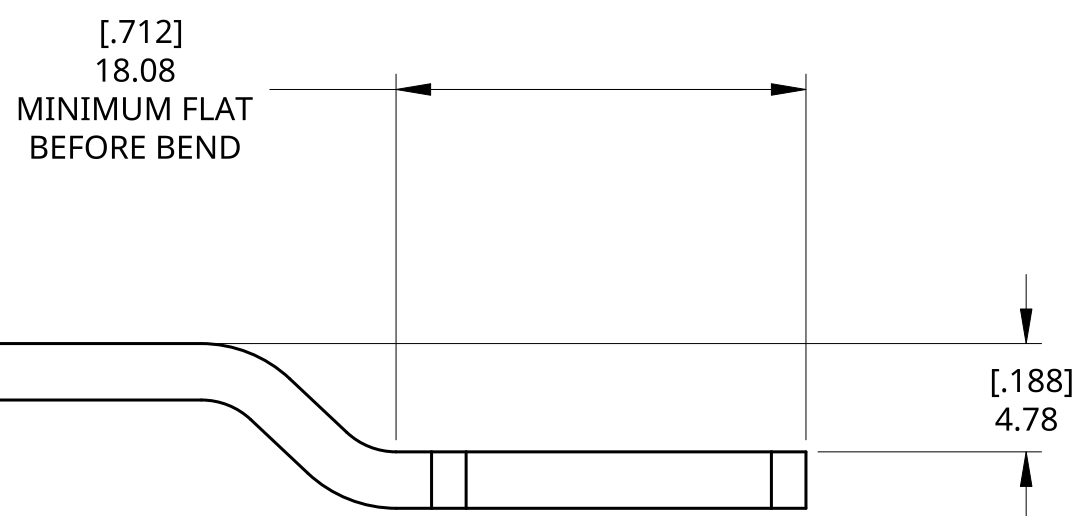
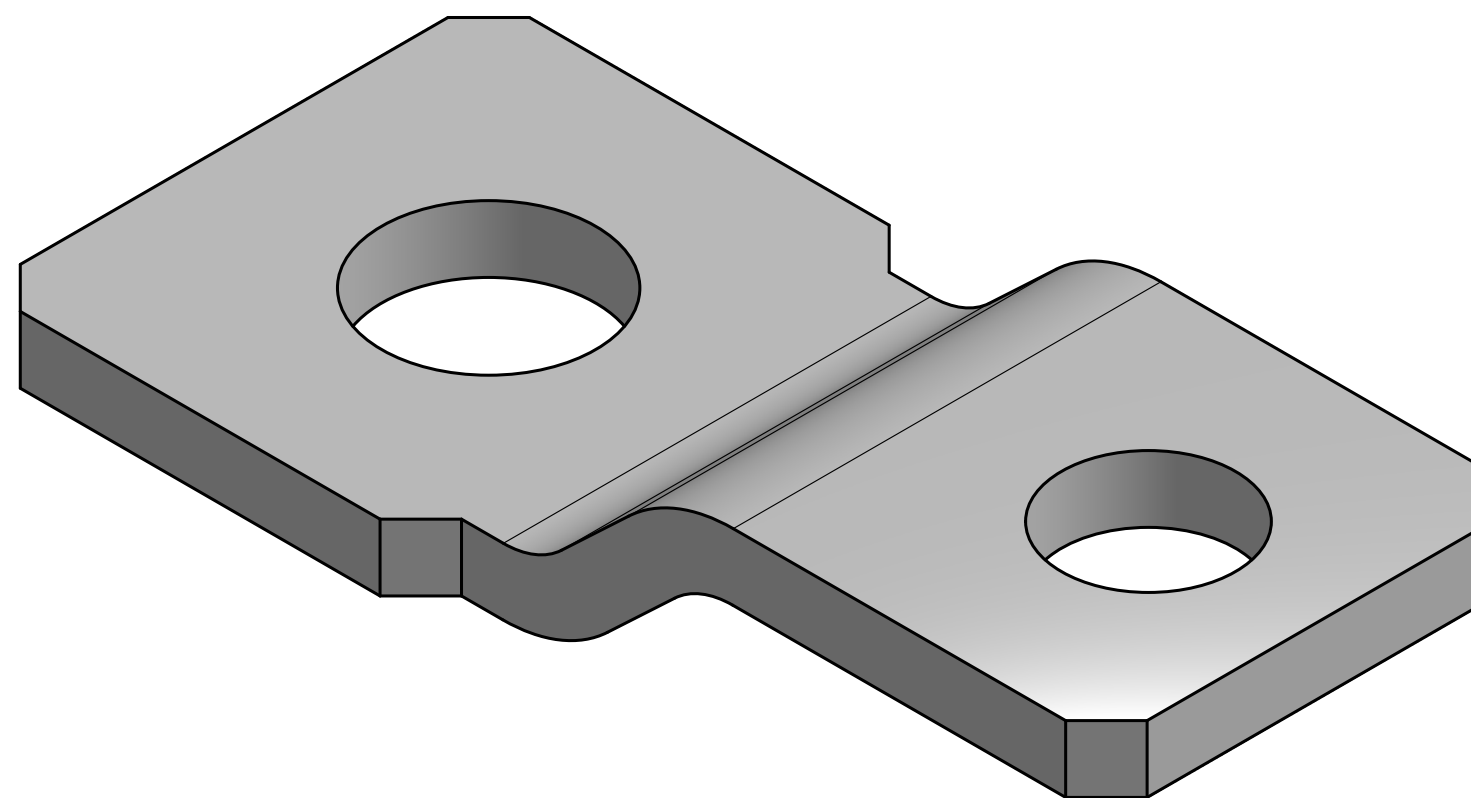
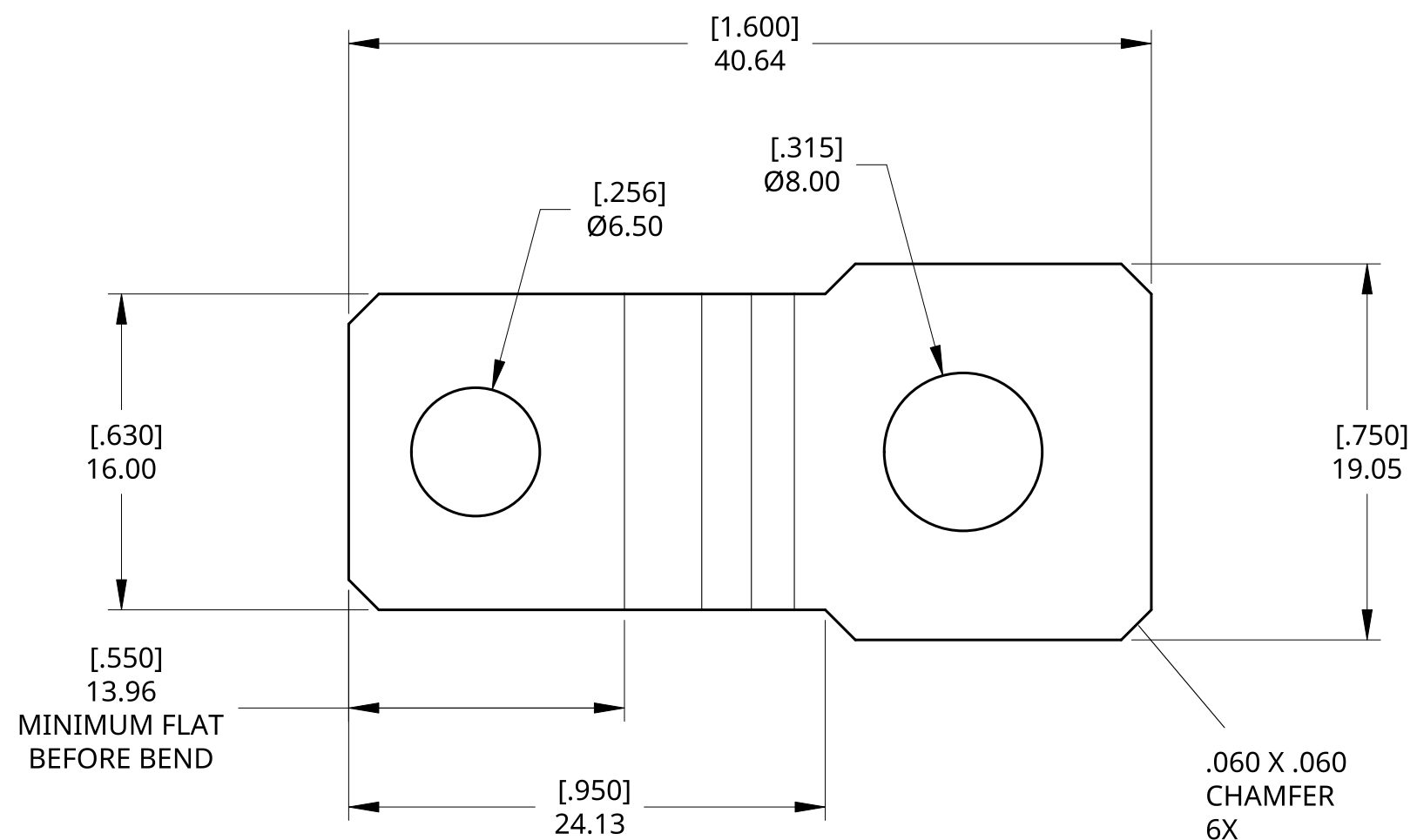
3

2

1

REVISIONS				
ZONE	REV.	DESCRIPTION	DATE	APPROVED

SCALE 3:1



SCALE 3:1

NOTES:

1. MATERIAL: COPPER C110 ELECTRICAL TOUGH PITCH
2. PLATING: BRIGHT TIN PLATE
3. ALL SHARP EDGES TO BE DE-BURRED

UNLESS OTHERWISE SPECIFIED, DIMENSIONS ARE IN MILLIMETERS .XX = ±.13 .XXX = ±.050	DRAWN	B Glad	04/14/2019	 Egis Mobile Electric 3135 Mercer Ave, Ste 102 Bellingham, WA 98225, USA
	CHECKED			
SURFACE FINISH	APPROVED			TITLE
DO NOT SCALE DRAWING				901466 : OFFSET BUSBAR 3/16", COPPER, TIN PLATE
BREAK ALL SHARP EDGES AND REMOVE BURRS				SIZE
THIRD ANGLE PROJECTION				C
	THIS DRAWING AND THE INFORMATION CONTAINED WITHIN IT ARE CONFIDENTIAL AND MAY NOT BE COPIED OR DISCLOSED WITHOUT THE WRITTEN PERMISSION OF EGIS MOBILE ELECTRIC.			DWG NO.
	SCALE	NTS	WEIGHT	SHEET
				1 of 1

4

3

2

1

D

D

C

C

B

B

A

A