

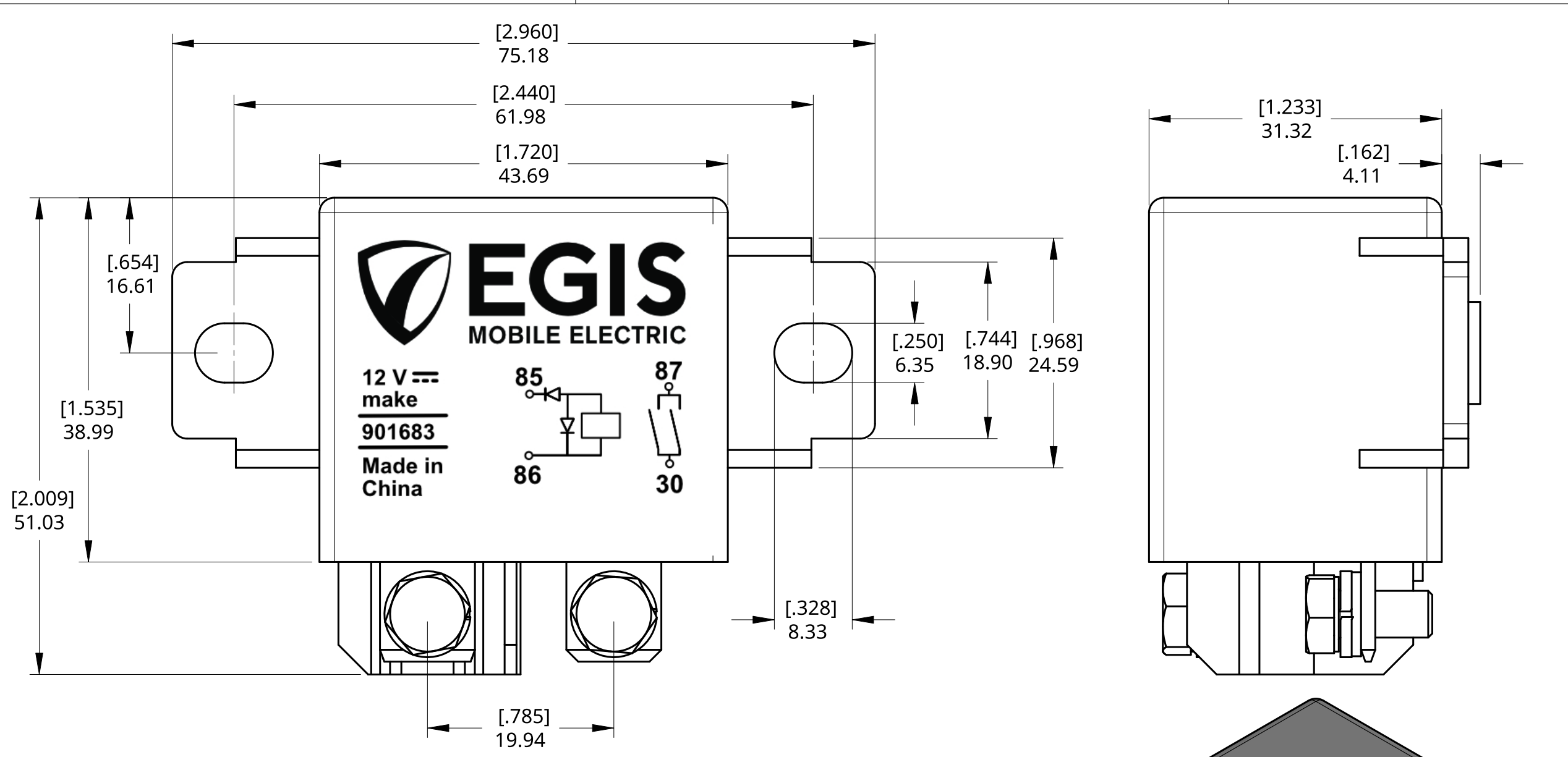
4

3

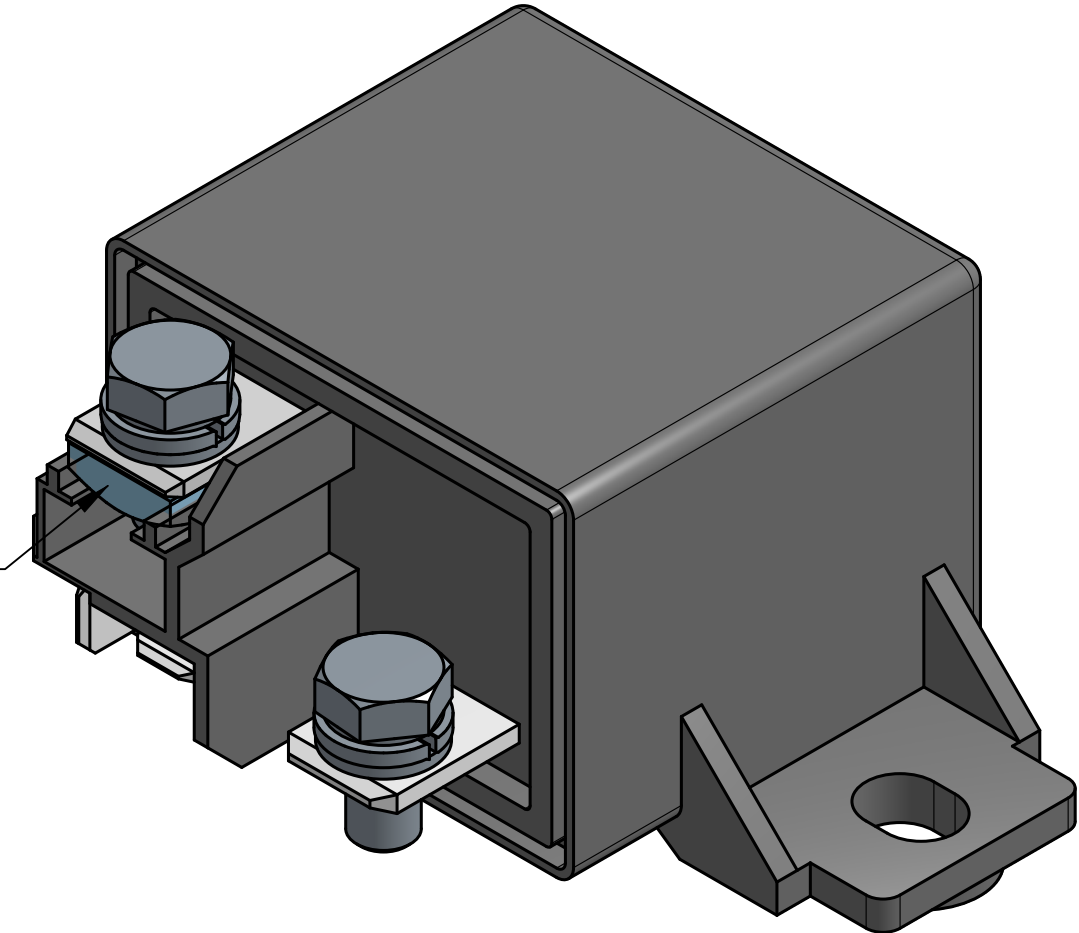
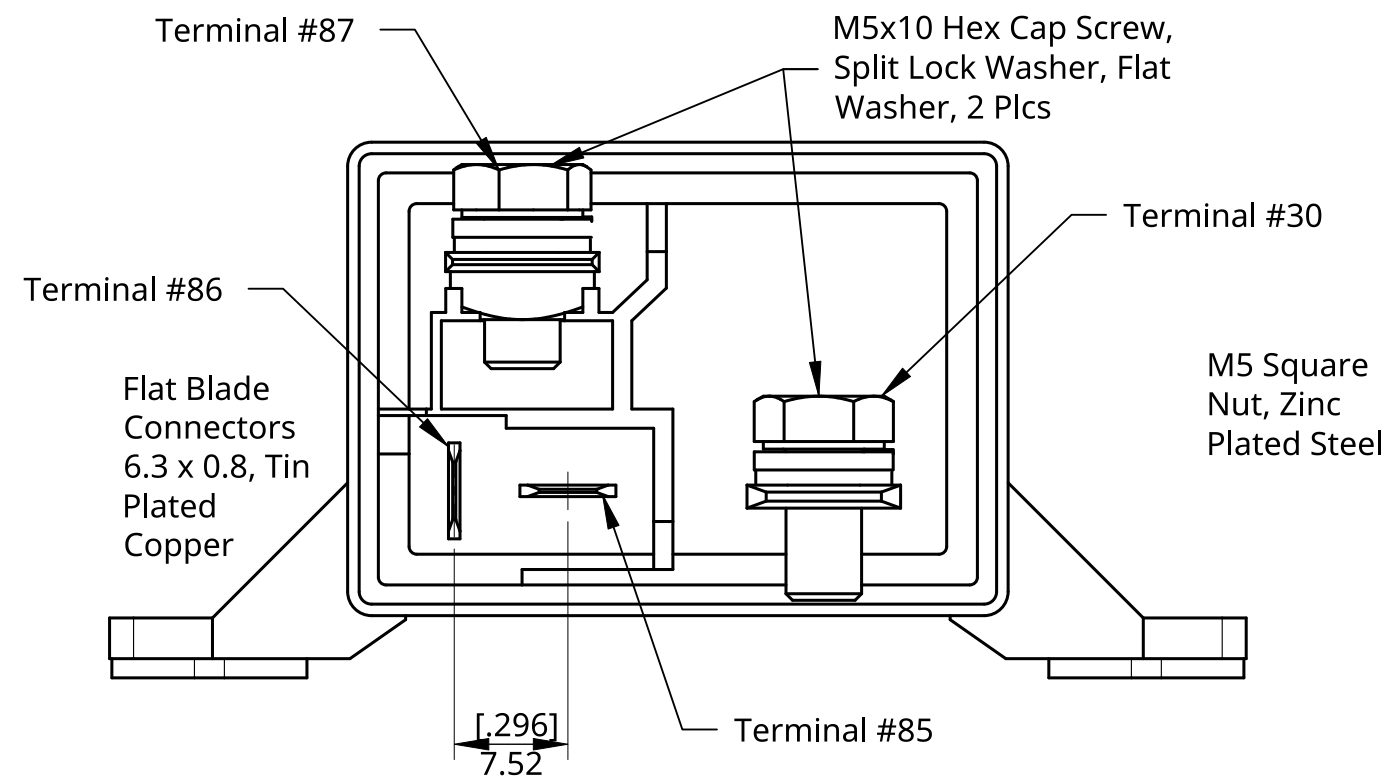
2

1

REVISIONS				
ZONE	REV.	DESCRIPTION	DATE	APPROVED



**Environmental Specifications**  
 Ignress Protection: IP54, sealing in accordance with IEC 68  
 Ambient temperature: -40°C to +125°C  
 Dry heat, IEC 60068-2-2: 500h at 100°C  
 Damp heat constant, IEC 60068-2-3 (78), Ca  
 - 56 days, 40°C, 93% RH  
 Corrosive gas  
 - IEC 60068-2-42: 10 days  
 - IEC 60068-2-43: 10 days  
 Vibration resistance (functional)  
 - IEC 60068-2-6 (sine sweep): 10 to 500Hz >5g)  
 Shock resistance (functional)  
 - IEC 60068-2-27 (half sine): 11ms >20g)  
 Drop test, free fall  
 - IEC 60068-2-32: 1m onto concrete  
 Terminal retention  
 pull force: 100N  
 push force: 100N  
 torque: 0.3Nm  
 Weight approx.: 38g (1.3oz)



**Contact Specifications**  
 Contact arrangement: 1 Form A / 1 NO Bi-Furcated  
 Rated current: 50A at 85°C  
 Limiting continuous current  
 - 23°C: 75A  
 - 85°C: 50A  
 - 125°C: 20A  
 Limiting making current, load current max. 3s on,  
 - make/break ratio(1:10): 150A  
 Limiting breaking current: 75A  
 Contact material: Silver Tin Oxide  
 Min. recommended contact load: 1A at 12VDC  
 Initial contact resistance: 50mOhm @ 0.1 A / 6 Vdc  
 Frequency of operation, with/without load: 6 ops./min  
 Operate/release time typ. at nominal voltage: 7/2ms  
 Electrical endurance  
 - resistive load: 100,000 cycles at 75A, 13.5VDC  
 Mechanical endurance: >1,000,000 operations  
 Rated coil power: 3.3W  
 Max. coil temperature: 155°C  
 Rated Voltage: 12 Vdc  
 Operate Voltage: 8.8 Vdc  
 Release Voltage: 1.5 Vdc  
 Coil Resistance (+/- 10%): 46 Ohms  
 Rated Coil Power: 3.1 Watts

D

D

C

C


B

B

A

A

UNLESS OTHERWISE SPECIFIED, DIMENSIONS ARE IN MILLIMETERS .XX = ±.13 .XXX = ±.050	NAME	DATE
ANGULAR = ± ° FRACTIONAL = ±	Eric Graham	07/22/2021
SURFACE FINISH	DRAWN	CHECKED
DO NOT SCALE DRAWING	APPROVED	
BREAK ALL SHARP EDGES AND REMOVE BURRS		
THIRD ANGLE PROJECTION	THIS DRAWING AND THE INFORMATION CONTAINED WITHIN IT ARE CONFIDENTIAL AND MAY NOT BE COPIED OR DISCLOSED WITHOUT THE WRITTEN PERMISSION OF EGIS MOBILE ELECTRIC.	


 Egis Mobile Electric  
 3135 Mercer Ave, Ste 102  
 Bellingham, WA 98225, USA

**TITLE** 901643 - 75A RELAY, DUAL CONTACT, DUAL DIODE

SIZE **C** DWG NO. \_\_\_\_\_ REV. \_\_\_\_\_  
 SCALE **NTS** WEIGHT \_\_\_\_\_ SHEET **1 of 1**

4

3

2

1